

72" Severe Duty Brush Cutter

Operation and Maintenance Manual



103120, 103125, 103130



888-376-7027 | BlueDiamondAttachments.com

Register your
WARRANTY
within 30 days
of purchase



BD-092

Introduction: Owner Information

Thank you for your decision to purchase a Blue Diamond 72" Severe Duty Brush Cutter. To ensure maximum performance of your equipment, it is mandatory that you thoroughly study the Operator's manual and follow the recommendations. Proper operation and maintenance are essential to maximize equipment life and prevent personal injury.

Operate and maintain this equipment in a safe manner and in accordance with all applicable local, state, and federal codes, regulations and /or laws. Follow all on-product labeling and instructions.

Make sure that all personnel have read this Operator's Manual and thoroughly understand safe and correct operating, installation and maintenance procedures.

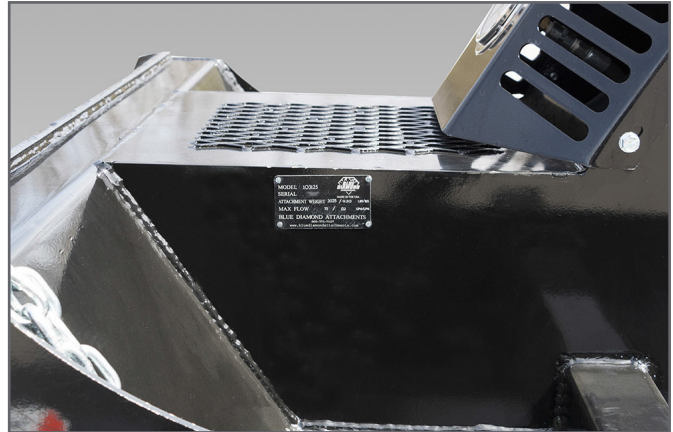
Blue Diamond is continually working to improve its products. Blue Diamond reserves the right to make any improvements or changes as deemed practical and possible without incurring any responsibility or obligation to make any changes or additions to equipment sold previously.

Although great care has been taken to ensure the accuracy of this publication, Blue Diamond makes no warranty or guarantee of any kind, written or expressed, implied or otherwise with regard to the information contained within this manual. Blue Diamond assumes no responsibility for any errors that may appear in this manual and shall not be liable under any circumstances for incidental, consequential or punitive damages in connection with, or arising from the use of this manual.

Keep this manual available for frequent reference. All new operators or owners must review the manual before using the equipment and annually thereafter. Contact your Blue Diamond Attachments Dealer for assistance, information, or additional copies of the manual. Contact www.bluediamondattachments.com or call 888-376-7027 for a complete list of dealers in your area.

Serial Number Location:

Please record attachment information in the space provided for future reference.



Model Number: _____

Serial Number: _____

Dealer Name: _____

Dealer Number: _____

Date of Purchase: _____

The serial number plate is located on the right side, just forward of the attachment mounting plate.

Always use your serial number when requesting information or when ordering parts.

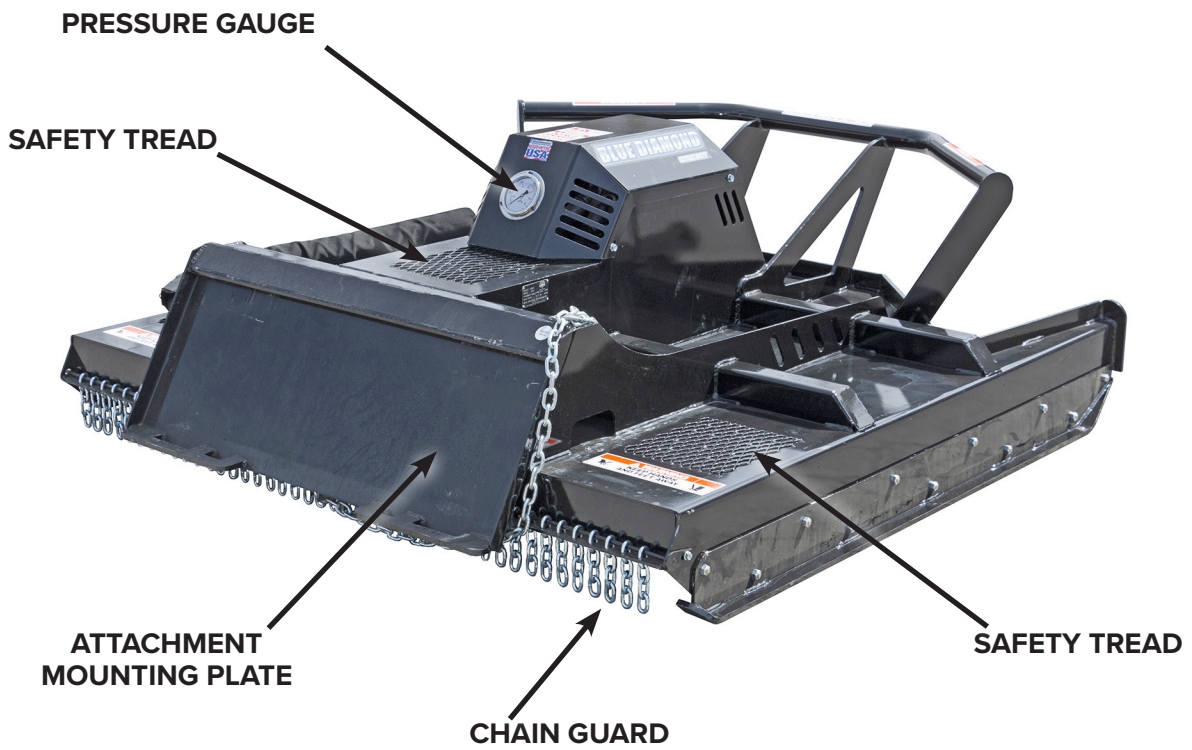
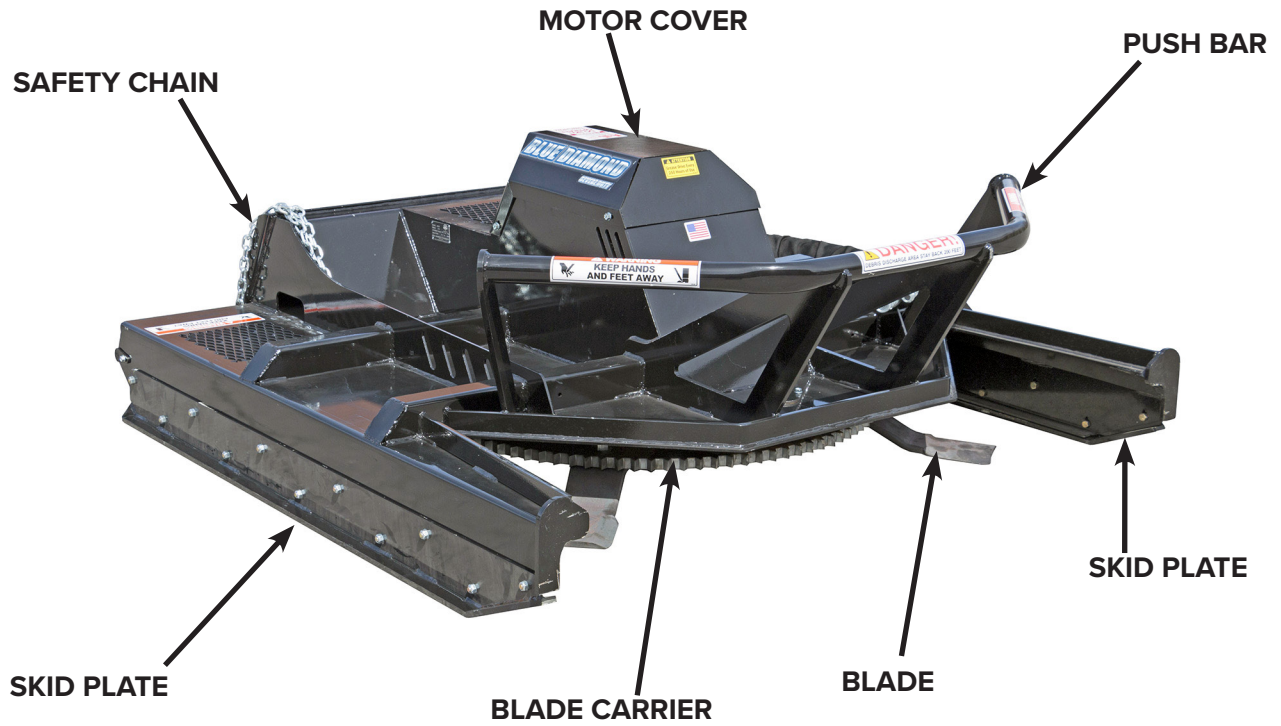
NOTE: The directions left, right, front and rear, as mentioned throughout this manual, are as viewed from the operator's position.

Table of Contents

1. Introduction.....	4
1.1 Attachment Identification.....	4
2. Safety	5-7
2.1 Safety Information.....	5
2.2 Importance of Safety.....	6
3. Operation	8-15
3.1 General Information.....	8
3.2 Attachment Inspection.....	9
3.3 Attachment Installation.....	10
3.4 Operating the Attachment	12
3.5 Blade Reversing Procedure.....	16
4. Maintenance	17-21
4.1 Service Schedule	17
4.2 Drive Assembly Lubrication.....	18
4.3 Blade Replacement	19
4.4 Cleaning the Attachment	20
4.5 Troubleshooting	21
5. Parts.....	22-28
5.1 Deck Assembly.....	22
5.2 Blade Assembly	23
5.3 Drive System.....	24
5.4 Direct Drive Disassembly & Reassembly.....	25
5.5 Motor Removal	27
5.6 Decal Identification and Location.....	28
6. Specifications	29-30
6.1 Attachment Specifications	29
6.2 Torque Specifications	30
7. Warranty.....	31

1. Introduction

1.1 Attachment Identification



2. Safety

2.1 Safety Information



This SAFETY ALERT SYMBOL identifies important safety messages on the equipment and in the owner's manual. When you see this symbol, be alert to the possibility of personal injury and carefully read the message that follows.



The signal word **DANGER** on the machine and in the manuals indicates a hazardous situation which, if not avoided, will result in death or serious injury.



The signal word **WARNING** on the machine and in the manuals indicates a potentially hazardous situation which, if not avoided, could result in death or serious injury.



The signal word **CAUTION** on the machine and in the manuals indicates a potentially hazardous situation which, if not avoided, may result in minor or moderate injury. It may also be used to alert against unsafe practices.



The signal word **IMPORTANT** identifies procedures which must be followed to avoid damage to the machine.

Safe Operation Needs a Qualified Operator



AVOID SERIOUS INJURY OR DEATH
Operators must receive instructions before operating the machine. Untrained operators can cause serious injury or death. For an operator to be qualified, he or she must not use drugs or alcoholic drinks which impair alertness or coordination while working. An operator who is taking prescription drugs must get medical advice to determine if he or she can safely operate a machine and the equipment.

Operator Training

- Check the rules and regulations at your location. The rules may include an employer's work safety requirements. Regulations may apply to local driving requirements or use of a Slow Moving Vehicle (SMV) emblem. Regulations may identify a hazard such as a utility line.
- The new operator must start in an area without bystanders and use all the controls until he or she can operate the machine safely under all conditions of the work area.

2. Safety

2.2 Importance of Safety

Operator Training

- Read and follow instructions in this manual and the machine's Operators Manual before operating.
- Under no circumstances should young children be allowed to work with this equipment.
- This equipment is dangerous to persons unfamiliar with its operation.
- Check for overhead and / or underground lines before operating equipment (if applicable).
- In addition to the design and configuration of equipment, hazard control and accident prevention are dependent upon the awareness, concern, prudence and proper training of personnel involved in the operation, transport, maintenance and storage of equipment.
- Check that the attachment is securely fastened to the machine.
- Make sure all the machine controls are in the NEUTRAL before starting the machine.
- Operate the equipment only from the operator's position.
- Operate the equipment according to the Operator's Manual.
- When learning to operate the equipment, do it at a slow rate in an area clear of bystanders.
- DO NOT permit personnel to be in the work area when operating the equipment.
- The equipment must be used ONLY on approved machines.
- DO NOT modify the equipment in any way. Unauthorized modification may impair the function and / or safety and could affect the life

of the equipment.

- DO NOT make any adjustments or repairs on the equipment while the machine is running.
- Keep shields and guards in place. Replace if damaged.
- DO NOT operate equipment in poor visibility conditions such as fog, darkness, or any conditions that limit clear visibility less than 300 feet (100 m) in front of and to the sides of the equipment.
- When conditions make it necessary to slow ground speed, shift to a lower gear rather than reducing engine speed. The engine will maintain rated speed and keep cutter running at optimum cutting speed.
- DO NOT operate in a work area that has not been inspected for foreign debris and obstacles.
- Remove any foreign objects and clearly mark any objects that cannot be removed.
- Wear safety glasses, gloves, hearing protection and other protective clothing when required.

Machine Requirements and Capabilities

- The machine's operator's cab should be equipped with a thermoplastic polycarbonate or similar material front window, and similar protection on the sides of the operator's cab before operating the equipment.
- Keep bystanders clear of moving parts and the work area. Keep children away.
- Do Not exceed 4000 psi (275 bar) operating pressure.
- Use caution on slopes and near banks and ditches to prevent overturn

2. Safety

Fire Prevention Safety

- Flammable debris (leaves, grass, etc.) must be removed regularly. If flammable debris is allowed to accumulate, it can cause a fire hazard. Clean often to avoid this accumulation.
- The equipment's hydraulic motor compartment must be inspected every day and cleaned if necessary to prevent fire hazards and overheating.
- All fuels, most lubricants, and some coolant mixtures are flammable. Flammable fluids that are leaking or spilled onto hot surfaces or onto electrical components can cause a fire.

Transporting Safety

- Comply with state and local laws governing highway safety and movement of machinery on public roads.
- Check local laws for all highway lighting and marking requirements.
- Always yield to oncoming traffic and move to the side of the road so any following traffic may pass.
- Never allow riders on either machine or equipment.
- If transporting the brush cutter on a truck or trailer, make sure the brush cutter is properly secured to the transport vehicle.

Hydraulic System

- Check hydraulic tubes, hoses, and fittings for damage and leakage. Never use open flame or bare skin to check for leaks. Hydraulic tubes and hoses must be properly routed and have adequate support and secure clamps. Tighten or replace any parts that show leakage.
- Always clean fluid spills. Do not use gasoline or diesel fuel for cleaning parts. Use commercial nonflammable solvents.

3. Operation

3.1 General Information

Pre-Operation Inspection

Before operating the Severe Duty Brush Cutter for the first time and each time thereafter, use the following list as a guideline during equipment inspection.



WARNING



AVOID SERIOUS INJURY OR DEATH

- Disengage machine's auxiliary hydraulics, engage the machine's parking brake, stop the engine and make sure all rotating components are completely stopped before connecting, disconnecting, adjusting or cleaning equipment.
- Always keep shields and all guards in place when using the equipment.
- Disengage machine's auxiliary hydraulics for road travel.
- Keep hands, feet and clothing away from rotating parts.

- Fully clean the attachment.
- Lubricate the attachment per the schedule outline in the Maintenance Section. See "Service Schedule" on page 17.
- Check the brush cutter mounting plate for damage. Check for loose or missing parts. Repair as needed before operation.
- Check all welds on the attachment for wear and damage each time the attachment is removed from the machine.
- Check for damaged or missing safety decals. Replace if necessary.

- Inspect the safety chain for damage.

NOTE: Fasten the safety chain to your machine with very little slack. Connect the safety chain under the machine's attachment mounting plate and secure to the frame of the machine. Not all machines will attach the same. See below for an example.



- Inspect the machine's mounting frame. (See the machine's Operator's Manual for inspecting the mounting frame). Replace any parts that are damaged, bent, or missing. Keep all fasteners tight. Look for cracked welds.



WARNING



Leaking fluids under pressure can enter the skin and cause serious injury or death. Immediate medical attention is required. Wear goggles. Use cardboard to check for leaks.

- Check condition of all hydraulic components for leaks. Repair as required.

NOTE: Do not operate with hydraulic leaks

- Verify that the brush cutter is properly connected to the machine.

3. Operation

3.2 Attachment Inspection

Daily Inspection

NOTE: Inspect the attachment by performing a walk around daily before and after use. Use the following inspection checklist as a guideline.

Check the following items every 10 hours of operation:

- Verify that the brush cutter is properly connected to the machine.
- Check that all shields and guards are in place.
- Check hydraulic lines, connections and fittings for hydraulic oil leaks. Repair or replace damaged parts if necessary.
- Check the brush cutter mounting hardware for wear or damage. Inspect the pins and mount (on the attachment) for wear or damage. Repair or replace damaged parts if necessary.

Weekly Inspection

Check the following items every 40 hours of operation:

- Check blade bolts for correct torque 1,440 ft/lb.(1898 N•m).
- Check all bolts for tightness.
- 3/8” bolts to 50 ft/lb (67.5 N•m) torque. 1/2” bolts to 100 ft/lb (135 N•m) torque.
- Inspect the deck for cracks, bends, or damage.
- Inspect discharge chains and replace any missing or broken chains.

Monthly Inspection

- Inspect the blades for cracks, bends, or excessive wear.
- Check skid plates for wear.
- Check that all bolts are tight.
- Check blades and mounting plate for cracks or damage. Replace if necessary.
- Check blade mounting hardware for correct torque 1,440 ft/lb. (1898 N•m). Check mounting plate hardware.
- Check chains, deck, shields and guards. Repair if damaged or replace if necessary.
- Check for damaged or missing decals. Replace if necessary.
- Check for damaged or leaking hydraulic hoses or fittings. Replace if necessary.
- Clean all debris, leaves, grass and flammable material from deck area and under covers.
- Lubricate as required



WARNING



AVOID SERIOUS INJURY OR DEATH

Before servicing the attachment:

- **Always park on a flat level surface.**
- **Lower lift arms and place attachment flat on the ground.**
- **Place all controls in NEUTRAL.**
- **Engage the park brake.**
- **Wait for all moving parts to stop.**
- **Stop the engine and remove the key.**

SEE MACHINE'S OPERATOR'S MANUAL FOR ADDITIONAL INFORMATION.

3. Operation

3.3 Attachment Installation



See the machine's Operator's Manual for detailed information on operating the loader.

Entering The Operator's Position

Use the attachment safety treads, handles and steps (on the machine) to enter the operator's position.

When in the operator's position, lower safety seat bar, start the engine and release the parking brake.

Leaving The Operator's Position



AVOID SERIOUS INJURY OR DEATH

- Always park on a flat level surface.
- Lower lift arms and place attachment flat on the ground.
- Place all controls in **NEUTRAL**.
- Engage the park brake.
- Stop the engine and remove the key.
- Wait for all moving parts to stop.

SEE MACHINE'S OPERATOR'S MANUAL FOR ADDITIONAL INFORMATION.

Park the machine / attachment on a flat level surface.

Place all controls in neutral, engage the park brake, stop the engine and wait for all moving parts to stop. Leave the operator's position.

Connecting Attachment To The Machine



CRUSH HAZARD

- Before moving the machine, look in all directions and make sure no bystanders, especially small children are in the work area. Do not allow anyone between the machine and attachment when approaching the attachment for connecting.
- Keep fingers and hands out of pinch points when connecting and disconnecting the attachment.

Before connecting to the attachment, inspect the machine's mounting plate. (See the machine's Operator's Manual for inspecting the mounting frame).

Enter the operator's position. See "Entering The Operator's Position" on page 10.

Drive the machine slowly forward, until the top edge of the machine's mounting plate is under the top flange of the attachment mounting frame.

Slowly tilt the machine's mounting plate back until the attachment mounting frame fully contacts the front of the machine's mounting plate.

Leave the operator's position. See "Leaving The Operator's Position" on page 10.

3. Operation

Connecting Attachment to the Machine Cont'd



WARNING



AVOID SERIOUS INJURY OR DEATH

The locking pins / wedges must extend through the holes in the attachment mounting frame. Failure to secure locking pins / wedges can allow attachment to come off. SEE MACHINE'S OPERATOR'S MANUAL FOR ADDITIONAL INFORMATION.

Engage attachment locking levers / wedges (See the machine's Operator's Manual for detailed information).

Connecting Hydraulic Hoses



IMPORTANT



- Thoroughly clean the quick couplers before making connections. Dirt can quickly damage the hydraulic system.

Remove dirt or debris from the male and female couplers. Visually inspect the couplers for corroding, cracking, damage, or excessive wear. Replace as needed.

Connect the attachment hydraulic hoses to the machine. Pull on each hose to verify full connection is made.

Connecting Safety Chain

Connect the safety chain under the machine's attachment mounting plate and secure to the frame of the machine.

Disconnecting Hydraulic Hoses



WARNING



AVOID SERIOUS INJURY OR DEATH

Hydraulic fluid, tubes, fittings, and quick couplers can get hot during operation. Be careful when connecting and disconnecting hydraulic hoses.

Relieve auxiliary hydraulic pressure. (See the machine's Operator's Manual for correct procedure.)

Disconnect attachment hydraulic hoses from the machine.

Disconnecting Attachment From the Machine

Relieve auxiliary hydraulic pressure. (See the machine's Operator's Manual for correct procedure.)

Park the machine and attachment on a flat level surface. Lower the attachment flat on the ground.

Leave the operator's position. See "Leaving The Operator's Position" on page 10.

Disconnect attachment hydraulic hoses from the machine.

Disengage locking pins / wedges. (See the machine's Operator's Manual for correct procedure.)

Enter the operator's position. See "Entering The Operator's Position" on page 10.

Slowly tilt the machine's mounting plate forward until the attachment mounting frame is free from the machine's mounting plate.

Drive the machine slowly backward, away from the attachment.

3. Operation

3.4 Operating the Attachment

Machine Requirements



DANGER



FLYING DEBRIS OR OBJECTS WILL CAUSE SERIOUS INJURY OR DEATH

To protect the operator from any flying debris or objects, it is important that the machine's operator's cab should be equipped with a thermoplastic polycarbonate or similar material front window, and similar protection on the sides of the operator's cab before operating the Severe Duty Brush Cutter.

Severe Duty Brush Cutter W / 150 cc Motor

- It's recommended that the machine be equipped with a thermoplastic polycarbonate or similar material front window, and similar protection on the sides of the operator's cab.
- The machine must be equipped with front auxiliary hydraulics with a hydraulic flow of 16-26 GPM for the 150 cc motor.
- The machine must have a minimum lift capacity of 2700 lb (1226 kg).

Severe Duty Brush Cutter W / 200 cc Motor

- It's recommended that the machine be equipped with a thermoplastic polycarbonate or similar material front window, and similar protection on the sides of the operator's cab.
- The machine must be equipped with front auxiliary hydraulics with a hydraulic flow of 27-35 GPM for the 200 cc motor.
- The machine must have a minimum lift capacity of 2700 lb (1226 kg).

Severe Duty Brush Cutter W / 250 cc Motor

- It's recommended that the machine be equipped with a thermoplastic polycarbonate or similar material front window, and similar protection on the sides of the operator's cab.
- The machine must be equipped with front auxiliary hydraulics with a hydraulic flow of 36-45 GPM for the 250 cc motor.
- The machine must have a minimum lift capacity of 2700 lb (1226 kg).



WARNING



THROWN OBJECTS OR ROTATING BLADES CAN CAUSE SERIOUS INJURY OR DEATH

- **Clear work area of all debris, such as rope, wire, cable or other materials that can wrap around blade carrier and blades, causing entanglement and attachment damage.**
- **DO NOT operate brush cutter in vicinity of bystanders, animals, or damageable property. Objects can be thrown more than several hundred feet.**
- **Keep all chains and shields installed. Repair or replace if damaged or missing.**
- **Check blade carrier, blades and mounting hardware. Replace if damaged. Never weld or modify.**

3. Operation



DANGER



ROTATING BLADES WILL CAUSE SERIOUS INJURY OR DEATH

- Never put hands, feet or objects into or under brush cutter when engine is running.
- Keep bystanders away.
- No riders.
- Stop engine before leaving the machine servicing.



IMPORTANT



DO NOT operate brush cutter when excessive vibration is present. Serious damage can result. Check blade carrier, blades and mounting hardware. Replace if damaged.

NOTE: The ground conditions and the type of brush being cut will determine the best cutting procedure and ground speed. The Severe Duty Brush Cutter is designed to cut short or tall grass, brush and small trees up to 8 in. (203 mm) in diameter.



WARNING



AVOID SERIOUS INJURY OR DEATH

- Never operate the Brush Cutter with back of the deck more than 24 in. (610 mm) off the ground.
- Never operate the Brush Cutter with any guards removed, including the motor cover.
- Never operate the Brush Cutter without the safety chain securely fastened to the machine.



WARNING



Never allow riders on the brush cutter.

3. Operation

Clearing Work Area

IMPORTANT

- DO NOT operate in a work area that has not been cleared of foreign debris and obstacles.
- Rocks, metal, construction debris and other objects can damage the blade carrier and blades.
- Clearly mark any objects that cannot be removed.

Initial Setup

Install the severe duty brush cutter onto the machine.

Move to the operator's position, lower seat bar, start the engine and release the parking brake.

Engage the machine's front auxiliary hydraulics.

Using the machine's auxiliary hydraulic controls, start blade rotation.



IMPORTANT

To minimize larger cut material discharging to the rear, always keep the machine between material being cut (work area) and buildings, occupied areas or roadways.



3. Operation

Initial Setup

CAUTION

DO NOT exceed 4000 PSI operating pressure.
Serious damage can result.

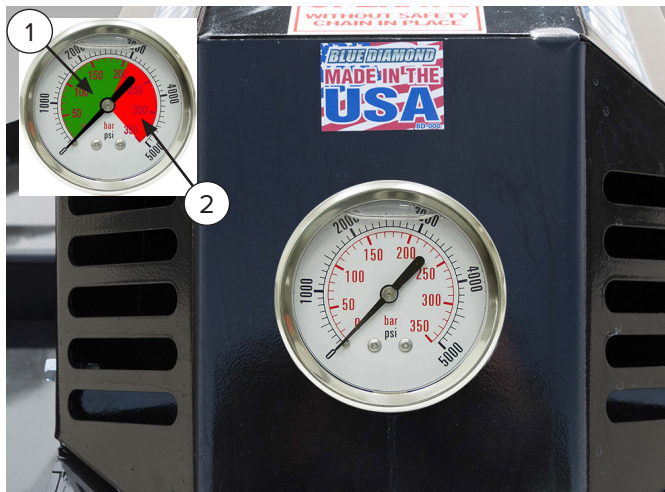


Figure 2

The pressure gauge mounted at the rear of the mounting frame on the brush cutter will show hydraulic system pressure when the front auxiliary hydraulics are activated and blades rotating [Figure 2].

The Green area (Item 1) [Figure 2] indicates that brush cutter is operating within the normal pressure.

The Red area (Item 2) [Figure 2] indicates that the brush cutter is at or near relief pressure.

Cutting Procedures

Brush Cutting

With the blades rotating, tilt the machine's mounting frame backward, raising the front of the brush cutter to roughly a 45° angle. Slowly drive forward into the brush. Slowly lower the brush cutter and start cutting.

Grass Cutting

With the blades rotating, tilt the machine's mounting frame until the brush cutter deck is parallel to the ground. Lower the brush cutter deck to the ground or desired cutting height. Drive forward and start cutting.

Tree Cutting

With the blades rotating, tilt the machine's mounting frame backward, raising the front of the brush cutter to roughly a 45° angle. Slowly drive forward toward the tree. Cut lower branches, exposing the trunk of the tree.

Tilt the machine's mounting frame until the brush cutter deck is parallel to the ground. Slowly drive into the tree until the push bar makes contact with the tree trunk. Maintain slow, steady pressure, cutting the trunk (as low to the ground as possible) and allowing the push bar to push the tree away from the machine.

With the blades rotating, tilt the machine's mounting frame backward, raising the front of the brush cutter to roughly a 45° angle. Slowly drive forward into the brush. Slowly lower the brush cutter and start cutting.

Once the tree is down, tilt the machine's mounting frame backward, raising the front of the brush cutter to roughly a 45° angle. Position the brush cutter over the tree. Lower the brush cutter down, removing the branches. Then move to the top of the tree (small diameter end) and lower the brush and slowly drive forward cutting the trunk.

3. Operation

3.5 Blade Reversing Procedure

Step 1: Confirm Coupler Setup

New from the factory, these brush cutters are designed to spin *clockwise* when properly connected to your skid steer. If the blades are spinning *counterclockwise*, then the couplers must be reversed.

NOTE: Male and female couplers may or may not be attached as required for your specific machine. Always verify which line is supply from the host machine before operating the brush cutter.

Step 2: Reversing Procedure

- Remove the motor hood
- Disconnect the hydraulic hoses at the motor.
- Reconnect each hose to the opposite coupler.
- Test the operation of the cutter and inspect for leaks; the blades should now be spinning *counterclockwise*.
- Reinstall the motor hood.



WARNING



Never reverse the direction of spin by reversing the hydraulic flow at the joystick. This can cause catastrophic damage to the motor.

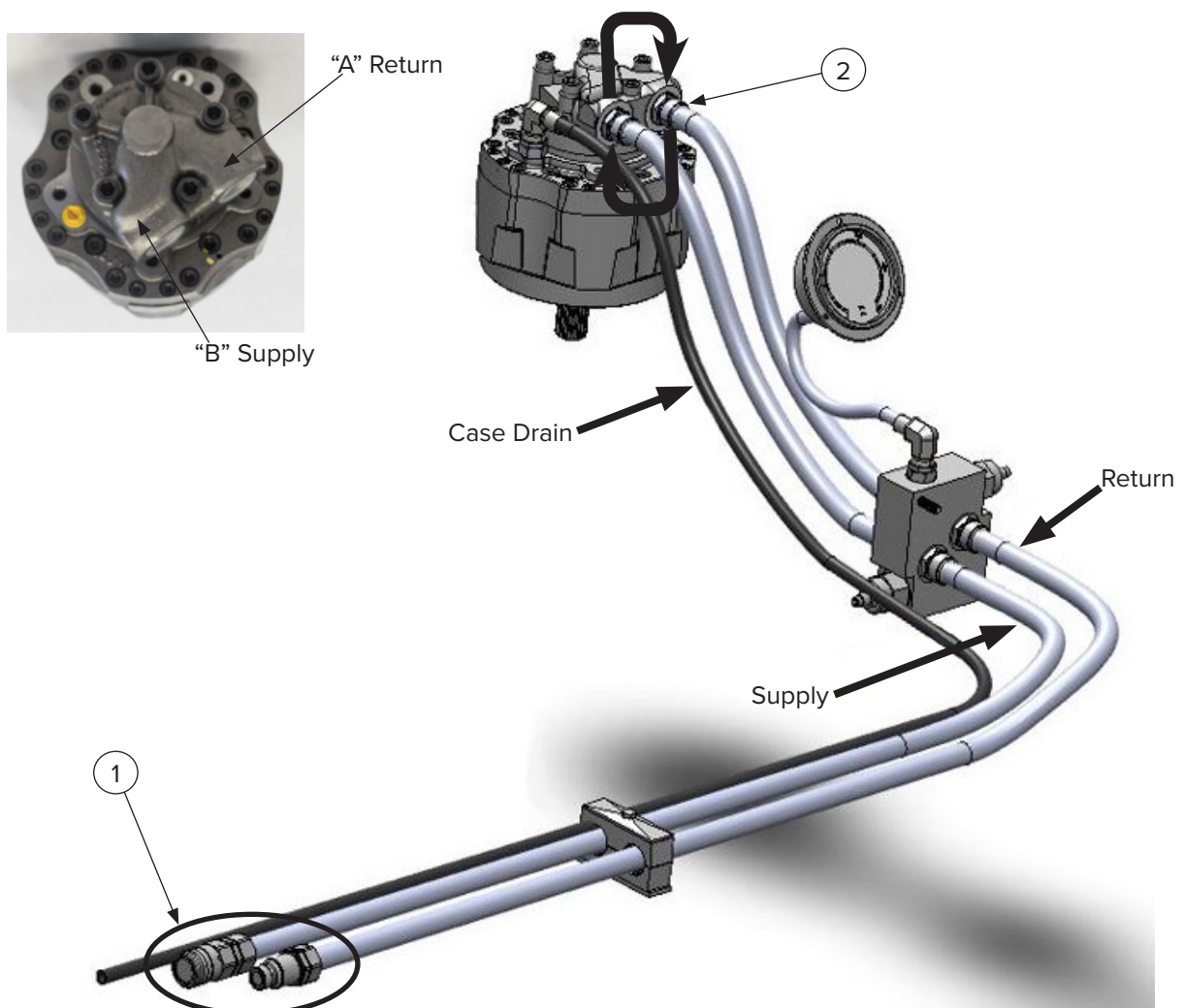


Figure 3

4. Maintenance

4.1 Service Schedule

DESCRIPTION	SERVICE PROCEDURES					
	Check	Clean	Lube	Change	Adjust	Drain
Daily Maintenance (or every 8 hours)						
Hydraulic Fittings	•					
Hydraulic Hoses	•					
Hydraulic Motor	•	•				
Blades (wear, damage, and loosening)	•					
Blade Carrier	•					
All Hardware	•					
Deck	•	•				
Chain Guard	•					
Safety Chain	•					
Weekly Maintenance (or every 40 hours)						
Blade Bolt Torque - 1,400 ft/lb (1,898 N•m)	•					
All Hardware	•					
Deck (cracks, bends, or damage)	•					
Chain Guard (replace missing/broken chains)	•					
Safety Chain	•					
Monthly Maintenance						
Blades (cracks, bends, or excessive wear)	•					
Skid plates	•					
All Hardware	•					
250 Hour Maintenance						
Drive Assembly (5 – 10 pumps)			•			



4. Maintenance

4.2 Drive Assembly Lubrication



Fluid such as hydraulic fluid, coolants, grease, etc. must be disposed of in an environmentally safe manner. Some regulations require that certain spills and leaks on the ground must be cleaned in a specific manner. See local, state, and federal regulations for the correct disposal.

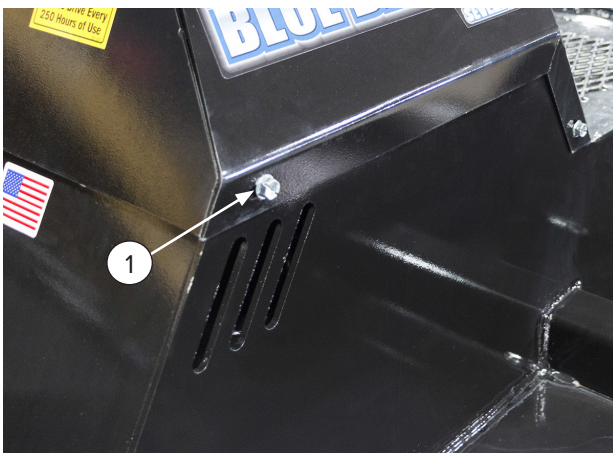


Figure 3

Loosen the bolts (Item 1) [Figure 3] and remove cover to access the direct drive.

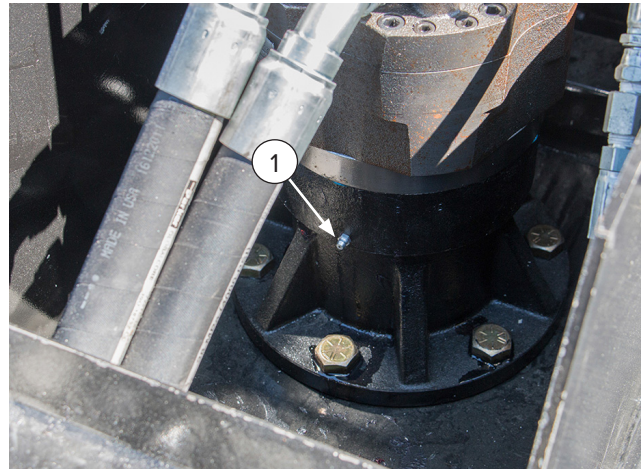


Figure 4

Apply 3 – 4 pumps of grease to the grease zerk (item 1) [Figure 4].

Align cover, re-install, and tighten bolts.

4. Maintenance

4.3 Blade Replacement



DANGER



AVOID INJURY OR DEATH

Before servicing the Brush Cutter:

- Lower the lift arms and place the brush cutter on flat, level surface.
- Engage parking brake, stop engine, and exit the machine.
- Disconnect attachment hydraulic hoses.

Blade Tightening / Replacement



Figure 5

Remove the two bolts (Item 1) [Figure 5] and cover to access the blade nut.

Tightening Blade Bolts

Tighten bolts and nuts to 1,440 ft/lb of torque.

Turn blade carrier by hand to align the next blade nut with the access hole.

Repeat procedure until all blade nuts and bolts have been tightened.

Reinstall cover

Blade Removal

Remove the nut and bolt from the blade. Remove blade.

Turn blade carrier by hand to align the next blade nut with the access hole.

Repeat procedure until all blade nuts and bolts have been removed.

NOTE: Blue Diamond® recommends replacing the bolt and nut every time the blades are changed.

Blade Installation

Align blade with the hole in the blade carrier. Push the bolt up through the blade into the blade carrier.

NOTE: Verify that blade bolt is fully seated.

Thread nut on blade bolt. Tighten nut to 1,440 ft/lb of torque.

Turn blade carrier to align remaining blade mounting holes.

Repeat procedure until all blades have been installed.

Reinstall cover.

4. Maintenance

4.4 Cleaning the Attachment



DANGER



AVOID SERIOUS INJURY OR DEATH

Before servicing the Brush Cutter:

- Disconnect attachment hydraulic hoses.
- Raise the lift arms and tilt brush cutter fully forward (down) until the front of the brush cutter contacts the ground.
- Engage parking brake, stop engine, and exit the machine.



Figure 6

Park the machine and attachment on a flat level surface. Lower the attachment flat on the ground.

Leave the operator's position. See "Leaving the Operator's Position" on page 10.

Disconnect attachment hydraulic hoses from the machine.

Disconnect safety chain from machine.

Enter the operator's position. See "Entering the Operator's Position" on page 10.

Start the engine, slowly raise the machine's lift arms, while tilting the brush cutter forward (down) until the front of the brush cutter contacts the ground [Figure 6].

Stop the engine, engage parking brake, and leave the operator's position. See "Leaving the Operator's Position" on page 10.

Use water or air pressure to clean debris from under the brush cutter deck.

Be careful when removing any obstructions that are wrapped around blades and blade carrier.

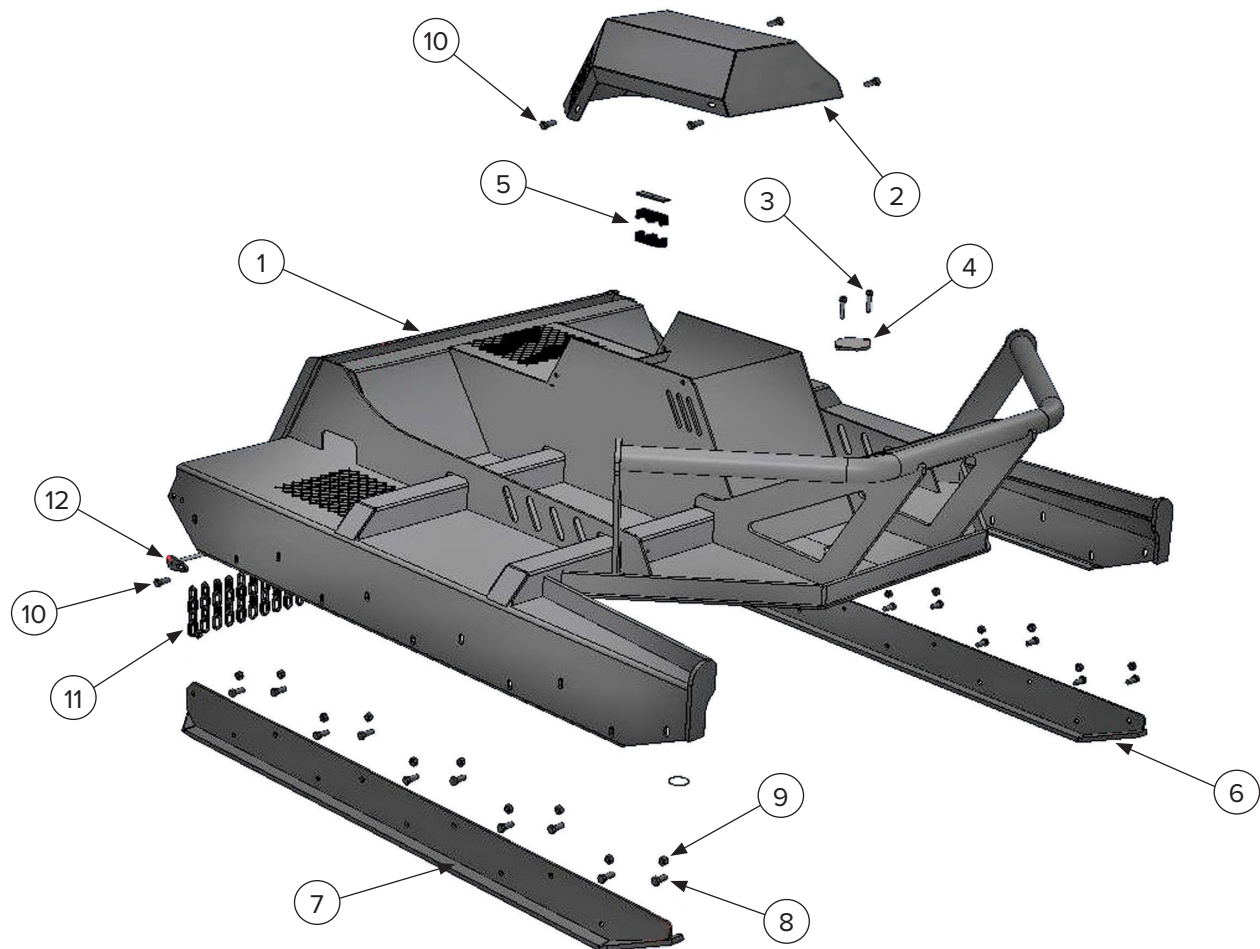
4. Maintenance

4.5 Troubleshooting

PROBLEM	CAUSE	SOLUTION
Brush Cutter Vibrating	Broken or damaged blades	Check blades and replace as needed.
	Debris under deck or on blade carrier	Remove all debris and verify all parts rotate freely.
	Loose or missing blade bolts	Replace missing bolts and tighten all blade bolts.
Low pressure at Startup/ Blades Turning too Slow	Hydraulic couplers are reversed.	Reverse male and female. Check for correct pressure.
	Faulty Relief valve on brush cutter or machine.	Contact your dealer or Blue Diamond® Attachments Service Department.
	Hi-Flow hydraulics not engaged (if required)	Engage Hi-Flow hydraulics.
Hydraulic Pressure, but Blades not Rotating	Debris under deck or on blade carrier.	Remove all debris and verify all parts rotate freely.
	Against an obstacle preventing the blade carrier from rotating.	Adjust brush cutter until blades rotate freely.
	Drive is damaged or seized.	Check blades and blade carrier. Verify that blades and blade carrier rotate freely. Replace damaged or seized drive.
	Damaged motor shaft or seized motor.	Contact your dealer or Blue Diamond® Attachments Service Department.
Poor Cutting	Travel speed too slow.	Increase travel speed during operation.
	Broken or dull blades.	Re place blades as needed.
	Hi-Flow hydraulics not engaged (if required)	Engage Hi-Flow hydraulics.

5. Parts

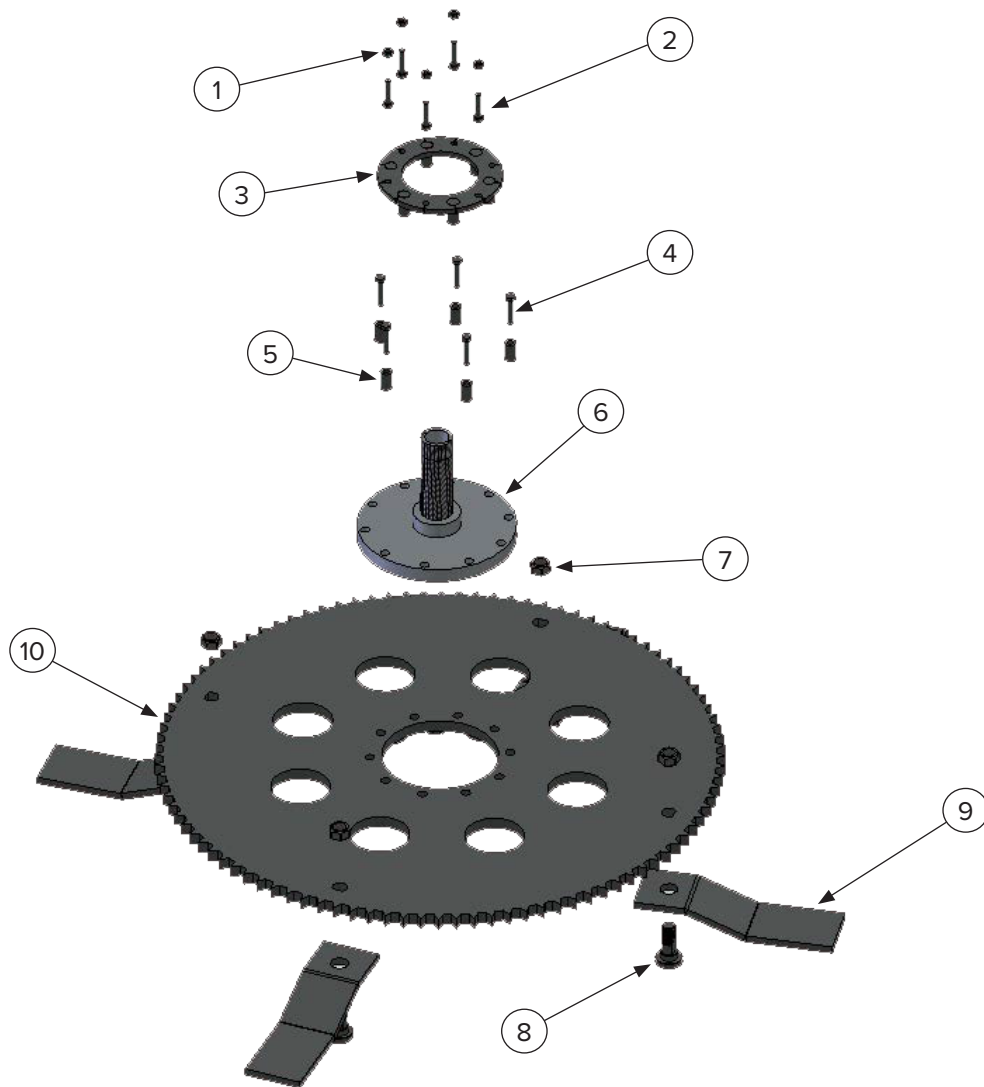
5.1 Deck Assembly



ITEM	PART NUMBER	DESCRIPTION	QTY
1	203401	Deck Weldment	1
2	203404	Motor Cover	1
3	203009	Bolt Blade Access Cover	2
4	203008	Blade Access Cover	1
5	203036	1" Hose Clamp	1
6	203430	Left Side Skid Shoe	1
7	203432	Right Side Skid Shoe	1
8	203435	Bolt Skid Shoe	20
9	203437	Nut Skid Shoe	20
NS	203109	Small Straight Thread for Grease Outlet	1
10	203006	Bolt Chain Retainer Bar and Motor Cover	5
11	203045	Four Link Chain Assembly	42
12	203055	Chain Retainer Bar	1

5. Parts

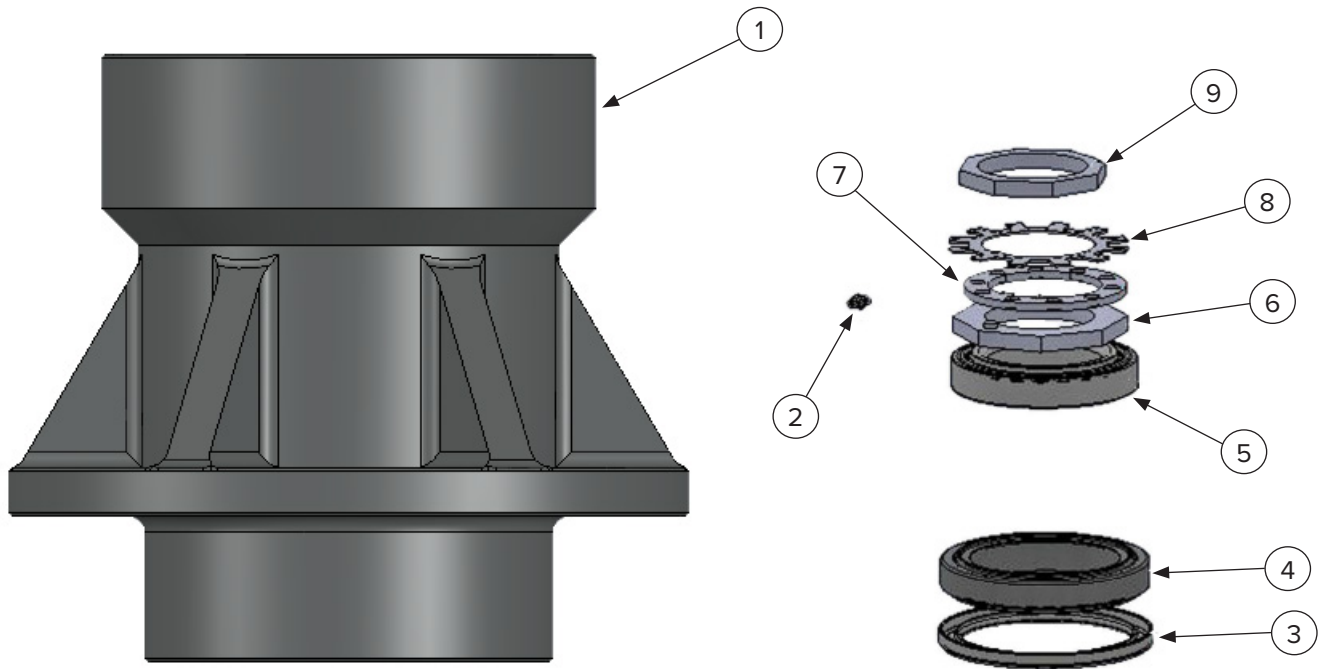
5.2 Blade Assembly



ITEM	PART NUMBER	DESCRIPTION	QTY
1	Included with Nut	Nut, 3/4" (for Direct Drive Housing)	6
2	203056	Bolt, 3/4" (for Direct Drive Housing)	6
3	203134	Upper Wire Guard	1
4	203914	Bolt (Lower Wire Guard)	5
5	Included with Bolt	Bushing (Lower Wire Guard)	5
6	203077	Spindle, Straight	1
7	203030	Nut (for Blade)	4
8	203035	Bolt (for Blade)	4
9	203025	Blade	4
10	203439	Blade Carrier	1
NS	299454	Bolt 3/4" (for Blade Carrier)	10

5. Parts

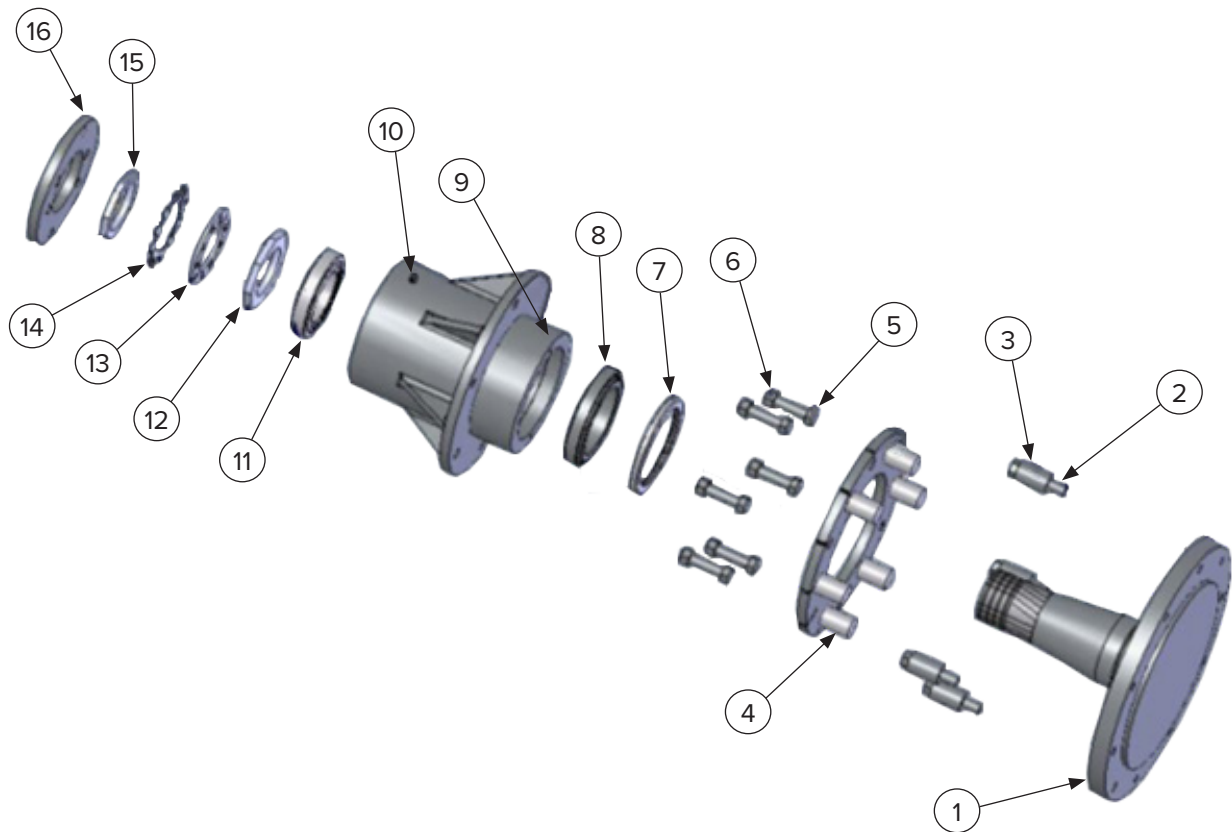
5.3 Drive System



ITEM	PART NUMBER	DESCRIPTION	QTY
NS	203402-H	Motor, 150cc	1
	203405-H	Motor, 200cc	
	203407-H	Motor, 250cc	
NS	203810	Motor to Drive Flange	1
NS	203415	Motor to Flange Bolts	4
NS	203811	Flange to Drive Bolts	4
NS	203831	Flange to Drive O-Ring	1
NS	203232	Flange to Drive Gasket	1
1	203071	Direct Drive Housing	1
2	203072	Grease Fitting	1
3	203086	Lower Bearing Seal	1
NS	203087	Retention Ring	1
4	203074	Lower Bearing / Race	1
5	203075	Upper Bearing / Race	1
6	203105	Lower Spindle Nut	1
7	203095	Spindle Locking Ring	1
8	203100	Spindle Star Locking Washer	1
9	203090	Upper Spindle Nut	1

5. Parts

5.4 Direct Drive Disassembly and Reassembly

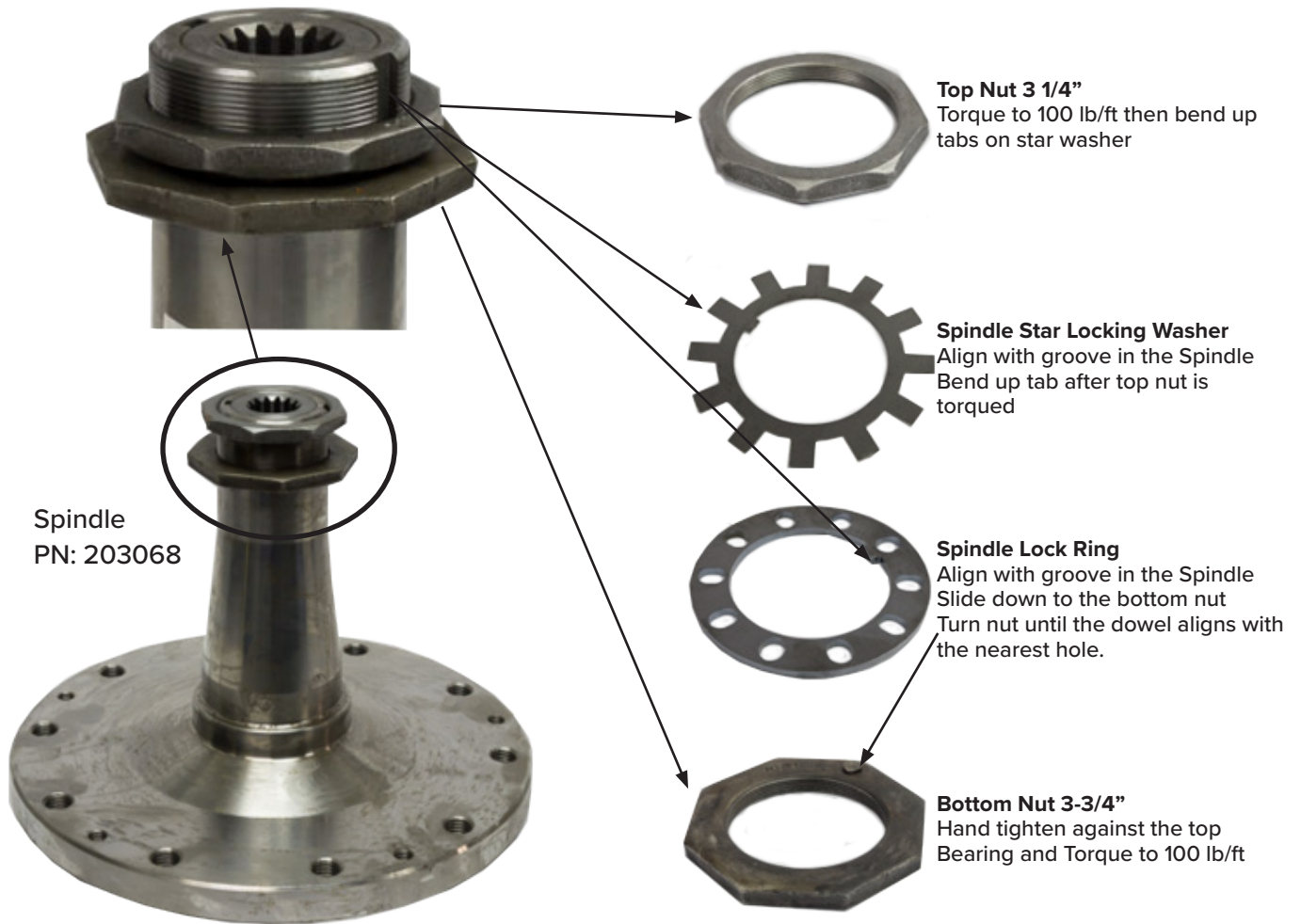


1. Support Brush Cutter by the blade carrier
2. Remove Motor Cover
3. Remove hoses to motor
4. Remove Motor (see instructions on page 27)
5. Remove Top Nut 3.25”(15), Star Washer (14), Lock Washer (13), Bottom Nut 3.75”(12) and Top Bearing/Race (11)
6. Pick up Brush Cutter straight up with skid steer leaving the spindle, blade carrier and blades on the support.
7. Remove Nuts/Bolts holding the direct drive housing to the mower deck. (5, 6)
8. Remove the Direct Drive Housing (9)
9. Remove Lower Seal and Bottom Bearing (7,8) (**NOTE:** the bottom bearing is pressed in)
10. Reassembly is the reverse (See page 26 for details on top nuts)

3. Parts

5.4 Direct Drive Disassembly and Reassembly Cont'd

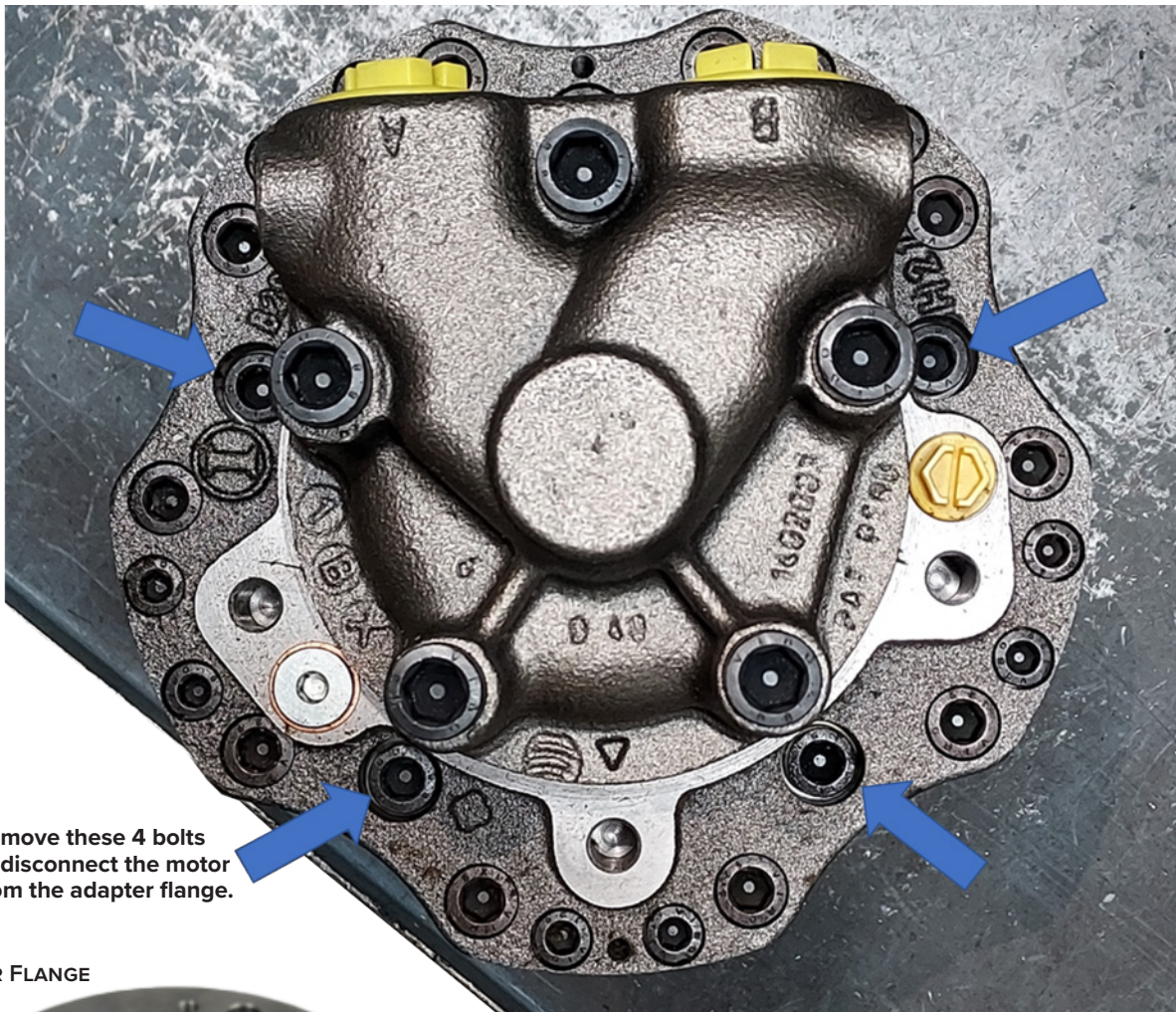
Top Nuts Details



Use red Loctite on the threads of both the lower and upper nut.

5. Parts

5.5 Motor Removal



Remove these 4 bolts to disconnect the motor from the adapter flange.

MOTOR FLANGE



The Severe Duty model motor has 4 through bolts that attach the motor to the adapter ring. To remove the motor follow these steps:

1. Remove all three hoses. Mark which hose is connected to each port. The hoses **MUST** be connected correctly on the Severe Duty models. The port labeled “B” is the supply line and should be connected to the hose with the Female Quick Connector (for all skid steers besides Bobcat). If reversed this can cause catastrophic damage to the motor. **Contact Product Support if you are in doubt about this procedure.**
2. Remove the 4 bolts described in the photo above.
3. Lift the motor off the adapter ring.
4. Remove the four bolts that attach the adapter ring to the top of the direct drive.

5. Parts

5.6 Decal Identification and Location



ITEM	PART NUMBER	DESCRIPTION	QTY
1	BD-081	WARNING (Both Sides)	4
2	BD-007	HIGH PRESSURE FLUID HAZARD	1
3	BD-070	DO NOT OPERATE Without Safety Chain in Place	1
4	BD-087	ATTENTION	1
5	BD-055	DANGER	1
—	BD-057	BLUE DIAMOND	2
—	BD-075	72"	2
—	BD-078	SEVERE DUTY	2

6. Specifications

6.1 Attachment Specifications

DESCRIPTION	SEVERE DUTY BRUSH CUTTER		
	W/ 150 CC MOTOR	W/ 200 CC MOTOR	W/ 250 CC MOTOR
Overall Height	30-3/4 in. (781 mm)		
Overall Length	84-1/2 in. (2146)		
Overall Width	78 in. (1981 mm)		
Cutting Height (minimum from ground)	2.5 in. (63 mm)		
Cutting Width	72 in. (1829 mm)		
Weight	2033 lbs. (922 kg)		
Blade Type	Double Edge, drop down, 6-1/4" wide, heat treated		
Blade Rotation	Clockwise (see section 3.5 Blade Reversing Procedure on page 16)		
Number of Blades	4		
Drive System	Direct Drive		
Minimum Hydraulic Flow	16 GPM (95 L/min)	27 GPM (95 L/min)	36 GPM (133 L/min)
Maximum Hydraulic Flow	26 GPM (133 L/min)	35 GPM (133 L/min)	45 GPM (170 L/min)
Maximum Relief Pressure	4000 PSI (275 bar)		
Drive Lubricant (or equivalent)	Shell Gadus Red Lithium S5 V100 2 Grease		

6. Specifications

6.2 Torque Specifications

Standard Hardware and Lock Nuts

BOLT TYPE	SAE GRADE 5		SAE GRADE 8		LOCK NUTS			
	Nominal Size	Plated or Unplated Silver	Plated W/ ZnCr Gold	Plated or Unplated Silver	Plated W/ ZnCr Gold	Plated or Unplated Silver	Plated W/ ZnCr Gold	W/ Grade 5 Bolt
1/4	55 in / lb (6.2 N•m)	72 in / lb (8.1 N•m)	86 in / lb (9.7 N•m)	112 in / lb (12.6 N•m)	121 in / lb (13.6 N•m)	157 in / lb (17.7 N•m)	61 in / lb (6.9 N•m)	86 in / lb (9.8 N•m)
5/16	115 in / lb (13 N•m)	149 in / lb (17 N•m)	178 in / lb (20 N•m)	229 in / lb (26 N•m)	250 in / lb (28 N•m)	325 in / lb (37 N•m)	125 in / lb (14 N•m)	176 in / lb (20 N•m)
3/8	17 ft / lb (23 N•m)	22 ft / lb (30 N•m)	26 ft / lb (35 N•m)	34 ft / lb (46 N•m)	37 ft / lb (50 N•m)	48 ft / lb (65 N•m)	19 ft / lb (26 N•m)	26 ft / lb (35 N•m)
7/16	27 ft / lb (37 N•m)	35 ft / lb (47 N•m)	42 ft / lb (57 N•m)	54 ft / lb (73 N•m)	59 ft / lb (80 N•m)	77 ft / lb (104 N•m)	30 ft / lb (41 N•m)	42 ft / lb (57 N•m)
1/2	42 ft / lb (57 N•m)	54 ft / lb (73 N•m)	64 ft / lb (87 N•m)	83 ft / lb (113 N•m)	91 ft / lb (123 N•m)	117 ft / lb (159 N•m)	45 ft / lb (61 N•m)	64 ft / lb (88 N•m)
9/16	60 ft / lb (81 N•m)	77 ft / lb (104 N•m)	92 ft / lb (125 N•m)	120 ft / lb (163 N•m)	130 ft / lb (176 N•m)	169 ft / lb (229 N•m)	65 ft / lb (88 N•m)	92 ft / lb (125 N•m)
5/8	83 ft / lb (112 N•m)	107 ft / lb (145 N•m)	128 ft / lb (174 N•m)	165 ft / lb (224 N•m)	180 ft / lb (244 N•m)	233 ft / lb (316 N•m)	90 ft / lb (122 N•m)	127 ft / lb (172 N•m)
3/4	146 ft / lb (198 N•m)	189 ft / lb (256 N•m)	226 ft / lb (306 N•m)	293 ft / lb (397 N•m)	319 ft / lb (432 N•m)	413 ft / lb (560 N•m)	160 ft / lb (217 N•m)	226 ft / lb (306 N•m)
7/8	142 ft / lb (193 N•m)	183 ft / lb (248 N•m)	365 ft / lb (495 N•m)	473 ft / lb (641 N•m)	515 ft / lb (698 N•m)	667 ft / lb (904 N•m)	258 ft / lb (350 N•m)	364 ft / lb (494 N•m)
1	213 ft / lb (289 N•m)	275 ft / lb (373 N•m)	547 ft / lb (742 N•m)	708 ft / lb (960 N•m)	773 ft / lb (1048 N•m)	1000 ft / lb (1356 N•m)	386 ft / lb (523 N•m)	545 ft / lb (739 N•m)



Warranty

MANUFACTURER'S LIMITED WARRANTY

BLUE DIAMOND® ATTACHMENTS, a manufacturer of quality attachments, warrants new BLUE DIAMOND® ATTACHMENTS products and/or attachments at the time of delivery to the original purchaser, to be free from defects in material and workmanship when properly set up and operated in accordance with the recommendations set forth by BLUE DIAMOND® ATTACHMENTS, LLC.

BLUE DIAMOND® ATTACHMENTS liability for any defect with respect to accepted goods shall be limited to repairing the goods at a BLUE DIAMOND® ATTACHMENTS designated location or at an authorized dealer location, or replacing them, as BLUE DIAMOND® ATTACHMENTS shall elect. The above shall be in accordance with BLUE DIAMOND® ATTACHMENTS warranty adjustment policies. BLUE DIAMOND® ATTACHMENTS obligation shall terminate twelve (12) months for the 72" Severe Duty Brush Cutter after the delivery of the goods to original purchaser.

This warranty shall not apply to any machine or attachment which shall have been repaired or altered outside the BLUE DIAMOND® ATTACHMENTS factory or authorized BLUE DIAMOND® ATTACHMENTS dealership or in any way so as in BLUE DIAMOND® ATTACHMENTS judgment, to affect its stability or reliability, nor which has been subject to misuse, negligence or accident beyond the company recommended machine rated capacity.

WARRANTY CLAIM

To submit a warranty claim, a claim must be filed with BLUE DIAMOND® ATTACHMENTS before work is performed. The BLUE DIAMOND® PRODUCT SUPPORT TEAM will advise repairs and applicable parts exchanges. Tampering with the failed part may void the warranty. This warranty does not include freight or delivery charges incurred when returning machinery for servicing. Dealer mileage, service calls, and pickup/delivery charges are the customers' responsibility.

EXCLUSIONS OF WARRANTY

Except as otherwise expressly stated herein, BLUE DIAMOND® ATTACHMENTS makes no representation or warranty of any kind, expressed or implied, AND MAKES NO WARRANTY OF MERCHANTABILITY IN RESPECT TO ITS MACHINERY AND/OR ATTACHMENTS ARE FIT FOR ANY PARTICULAR PURPOSE. BLUE DIAMOND® ATTACHMENTS shall not be liable for incidental or consequential damages for any breach or warranty, including but not limited to inconvenience, rental of replacement equipment, loss of profits or other commercial loss. Upon purchase, the buyer assumes all liability for all personal injury and property resulting from the handling, possession, or use of the goods by the buyer.

No agent, employee, or representative of BLUE DIAMOND® ATTACHMENTS has any authority to bind BLUE DIAMOND® ATTACHMENTS to any affirmation, representation, or warranty concerning its machinery and/or attachments except as specifically set forth herein.

This warranty policy supersedes any previous documents.

NOTE: Blue Diamond® Attachments is a trademark of BLUE DIAMOND® ATTACHMENTS



QUALITY | DEPENDABILITY | INTEGRITY

Blue Diamond® Attachments
4512 Anderson Road, Knoxville, TN 37918
888-376-7027