

Mini Pickup Broom

Operation and Maintenance Manual



Register your
WARRANTY
within 30 days
of purchase



888-376-7027 | BlueDiamondAttachments.com



BD-092

Introduction: Owner Information

Thank you for your decision to purchase a Blue Diamond Mini Pickup Broom. To ensure maximum performance of your equipment, it is mandatory that you thoroughly study the Operator's manual and follow the recommendations. Proper operation and maintenance are essential to maximize equipment life and prevent personal injury.

Operate and maintain this equipment in a safe manner and in accordance with all applicable local, state, and federal codes, regulations and /or laws. Follow all on-product labeling and instructions.

Make sure that all personnel have read this Operator's Manual and thoroughly understand safe and correct operating, installation and maintenance procedures.

Blue Diamond is continually working to improve its products. Blue Diamond reserves the right to make any improvements or changes as deemed practical and possible without incurring any responsibility or obligation to make any changes or additions to equipment sold previously.

Although great care has been taken to ensure the accuracy of this publication, Blue Diamond makes no warranty or guarantee of any kind, written or expressed, implied or otherwise with regard to the information contained within this manual. Blue Diamond assumes no responsibility for any errors that may appear in this manual and shall not be liable under any circumstances for incidental, consequential or punitive damages in connection with, or arising from the use of this manual.

Keep this manual available for frequent reference. All new operators or owners must review the manual before using the equipment and annually thereafter. Contact your Blue Diamond Attachments Dealer for assistance, information, or additional copies of the manual. Contact www.bluediamondattachments.com or call 888-376-7027 for a complete list of dealers in your area.

Serial Number Location:

Please record attachment information in the space provided for future reference.

Model Number: _____

Serial Number: _____

Dealer Name: _____

Dealer Number: _____

Date of Purchase: _____

The serial number plate (is located on right side, just forward of the attachment mounting plate.

Always use your serial number when requesting information or when ordering parts.

NOTE: The directions left, right, front and rear, as mentioned throughout this manual, are as viewed from the operator's position.

Revision Date: 10.17.2022

Blue Diamond® Attachments

Table of Contents

1. About this Manual	2
2. Safety	4-5
2.1 General Safety Information	4
2.2 Safety Decals	5
3. Operation	6-8
3.1 General Information	6
3.2 Attachment Inspection	7
3.3 Attachment Installation	8
4. Maintenance	9-14
4.1 General	9
4.2 Removing Broom Wafers	10
4.3 Replacing Broom Wafers	11
4.4 Removing and Replacing Motor	12
4.5 Removing and Replacing Bearing	13
4.6 Fastener Torque Specifications	14
5. Assembly	15-22
5.1 Parts Breakdown	15-16
5.2 Brush Drum Assembly	17
5.3 Hood Assembly	18-19
5.4 Water Kit Breakdown	20-21
5.5 Spray Bar Kit Breakdown	22
6. Warranty	23

2. Safety

2.1 General Safety Information



This **SAFETY ALERT SYMBOL** identifies important safety messages on the equipment and in the owner's manual. When you see this symbol, be alert to the possibility of personal injury and carefully read the message that follows.



The signal word **IMPORTANT** identifies procedures which must be followed to avoid damage to the machine.

Safe Operation Needs a Qualified Operator



The signal word **DANGER** on the machine and in the manuals indicates a hazardous situation which, if not avoided, will result in death or serious injury.



AVOID SERIOUS INJURY OR DEATH
Operators must receive instructions before operating the machine. Untrained operators can cause serious injury or death. For an operator to be qualified, he or she must not use drugs or alcoholic drinks which impair alertness or coordination while working. An operator who is taking prescription drugs must get medical advice to determine if he or she can safely operate a machine and the equipment.



The signal word **WARNING** on the machine and in the manuals indicates a potentially hazardous situation which, if not avoided, could result in death or serious injury.

Operator Training

- Check the rules and regulations at your location. The rules may include an employer's work safety requirements. Regulations may apply to local driving requirements or use of a Slow Moving Vehicle (SMV) emblem. Regulations may identify a hazard such as a utility line.
- The new operator must start in an area without bystanders and use all the controls until he or she can operate the machine safely under all conditions of the work area.



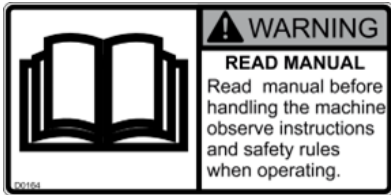
The signal word **CAUTION** on the machine and in the manuals indicates a potentially hazardous situation which, if not avoided, may result in minor or moderate injury. It may also be used to alert against unsafe practices.

2. Safety

2.2 Safety Decals

The safety decals existing on the attachment should be clearly readable and always followed. The location of the decals is shown in the parts diagram. Replace any safety decal that is missing or damaged.

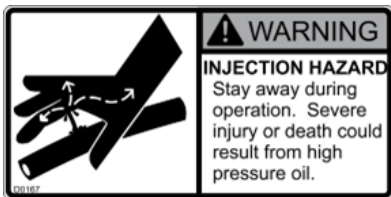
The READ MANUAL decal warns the operator to read this manual before operating the attachment.



The FLYING OBJECTS decal warns the operator the operator and bystanders to stay away during operation.



The INJECTION HAZARD decal warns the operator and bystanders to stay away during operation.



The CRUSHING HAZARD decal warns the operator and bystanders to stay away during operation.



WARNING



Before operating this equipment, read and understand the following safety information. Each individual working with the equipment should be familiar with the safety precautions.



WARNING



Failure to follow the safety procedures before cleaning, adjusting, lubricating, or servicing this unit could result in serious injury or death.

Before cleaning, adjusting, lubricating or servicing this unit, Always follow the **MANDATORY SAFETY SHUTDOWN PROCEDURE**:

1. Lower loader arms and roll attachment forward until it is flat on level ground.
2. Apply loader parking brake and stop the loader engine.
3. Cycle controls to relieve pressure within the auxiliary hydraulics lines.
4. Remove loader key and keep with you while working on the attachment.
5. Disconnect auxiliary hydraulic lines from loader.

Get on or off the loader only at locations equipped with hand holds and steps. Keep the steps and hand holds clean and inspect for damage. Make necessary repairs.

Maintain 3 point contact and face the loader and attachment when mounting or dismounting.

DO NOT get on a moving or operating broom or attachment. **NEVER** jump on or off a running attachment or loader.

3. Operation

3.1 General Information



WARNING



The following precautions must be observed for the safety of the operator and bystanders.

Setup

Although the broom attachment is supplied fully assembled, some simple checks should be performed before operation begins.

Safety Decals

The safety decals existing on the attachment should be clearly readable and always followed. The location and description of the decals is shown in the parts diagram. Copies of the decals are shown in Safety Decals section.

Hydraulic Couplers

The broom may have been shipped without the required hydraulic quick couplers. Obtain correct brand and size and install them on the hoses.

Hoses / Fittings

Hydraulic fittings are used to connect all attachment hoses. All fittings should be tight and free of leaks. Hoses must be free of crimps or cuts that might result in leakage. Check your attachment before operation to make sure all hose routings are kink-free and allow for movement during sweeping and dumping operations.

Wire Harness

The wiring harness to the optional water spray kit pump should be routed to prevent catching or pinching when sweeping or dumping operations.

Attaching to Loader



WARNING



Never crawl under raised loader arms or attachment.

To attach the Broom to the loader:

1. Start the loader engine and rotate the coupler out. Retract the coupler pins.
2. Move the machine forward and align the coupler between the outer mounting bracket plates. Pick up the attachment with the top bar.
3. Rotate the attachment back and engage the coupler pins. Ensure coupler pins are completely down and engaged. Always refer to operating instructions in the skid steer manual.
4. Engage loader parking brake and stop the engine. Cycle the controls to remove pressure in the auxiliary hydraulic lines. Exit machine.
5. Clean quick couplers if dirty. Connect hydraulic hoses to the skid steer quick couplers.
6. While attachment is on the ground, visually inspect quick coupler to ensure pins are extended.
7. Connect the wiring harness.

Safe Broom Operation

- Always follow the safety and operating information in this manual.
- Only operate the attachment from the seat of the loader.
- Always follow the weight limitations of the loader.
- Do not remove guards and shields.
- Do not sweep near or toward people, vehicles or buildings that may be injured or damaged by flying debris.
- Wear Eye protection around the attachment.
- Carry the attachment low to the ground.
- Do not carry passengers.

3. Operation

3.2 Attachment Inspection

Operating Tips - Sweeping

Only use broom on compatible loaders. Loader flow must not exceed 25 gallons per minute. DO NOT USE high flow hydraulics. Loader relief pressure must not exceed 3500 psi. Consult loader manual for flow and pressure specifications.

Do not engage the broom hydraulics with the loader engine at high speed. Engage hydraulics at low engine speed and gradually increase engine speed.

Do not reverse sweeping direction without stopping broom hydraulics.

Limit forward and reverse travel speed to 5 mph.

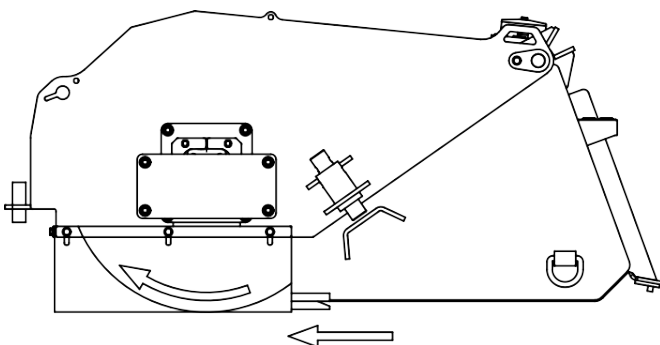
Adjust brush to give a 2"- 4" wide pattern. (See maintenance section).

Adjust rubber front and side skirts to be within 1/2" of the ground.

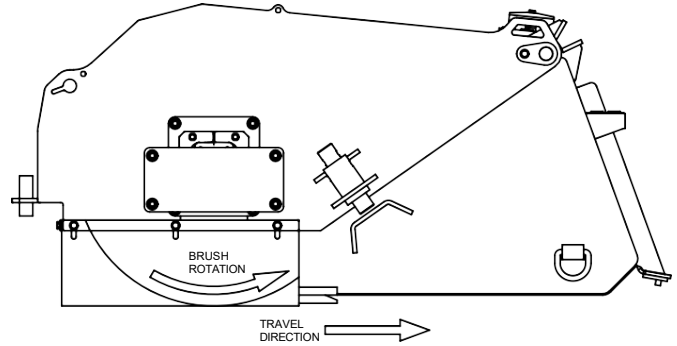
Slow down in heavy material. Allow time for the broom to sweep.

Avoid excessive down pressure on the broom. Carry bucket so bolt-on edge is 1" above ground line. Bucket should not contact ground, only broom.

When sweeping forward, rotate the brush so material is pushed away from the loader and over the broom into the bucket (See illustration below).



When sweeping backward, rotate the brush so material is pushed toward the loader and into the bucket (See illustration below).



Operating Tips - Dumping



WARNING



The following precautions must be observed for the safety of the operator and bystanders.

STAY AWAY FROM POWER LINES.

Always check clearances before lifting broom. Carry loaded bucket low to dump site.

Raise bucket slowly to the required dump height, roll broom forward to dump bucket.

Operating Tips - Optional Water Kit

Check the strainer bowl daily for dirt and debris. This debris can plug the nozzles.

Check nozzles daily for debris. Remove and clean plugged nozzles.

3. Operation

3.3 Attachment Installation

Operating Tips - Gutter Brush Kit

Only use gutter brush in forward direction.

Adjust height using retention chain so gutter brush bristle tips are touching the ground.

When not in use for a short period of time, raise the gutter brush 1-2” above the ground with the retention chain. Use the shut-off valve to stop bristle rotation when the gutter brush is raised.

When not in use for long periods of time, remove the gutter brush and connect the primary broom motor directly to the loader hydraulics.

Storage

Follow the loader manufactures instructions to remove the broom attachment.

DO NOT store the polypropylene brush wafers in direct sun light. The material can deteriorate.

Raise broom housing and take weight off of broom wafers. Store broom with bucket stop pins in the lowest position to relieve ground pressure on broom core.

4. Maintenance

4.1 General



WARNING



Failure to follow the safety procedures before cleaning, adjusting, lubricating, or servicing this unit could result in serious injury or death.

Proper maintenance of the attachment will result in longer life and more productive and cost effective operation. There are two basic categories of maintenance, lubrication and broom wafer maintenance.

Lubrication

Grease the following lube points weekly. Lubricate all grease zerks with an EP Lithium NLGL No. 2 grade grease. One example is Mobilux EP2.

-
- Broom Shroud pivot zerks. These two zerks are located at the top rear of each side of the bucket and should be greased weekly.
- Bearings. Grease the bearing on each side of the broom. The left bearing can be accessed by removing the chain cover.

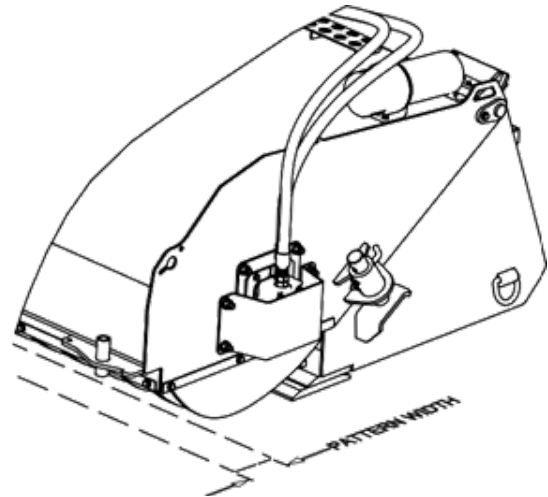
Checking and Adjusting the Broom Pattern

The brush pattern should be checked and adjusted every 8 hours or daily. To check and adjust the pattern:

1. Move the broom to a dusty flat surface.
2. With the loader at low throttle, start the broom motor.
3. Slowly lower the broom until it is the operating position. (bolt-on edge is 1" off of ground).
4. Keep the broom in this position for 10 seconds. Do not move loader.
5. Raise broom, stop the broom motor, and move the loader back several feet. Lower broom to ground, set loader brake and dismount loader.
6. Measure pattern width left by broom. Pattern should be 2"-4" wide.
7. To adjust pattern, carefully prop up the broom shroud assembly. Remove the two bent leg

pins.

8. Move the two stop pins to a different hole location and replace the two bent pins. To widen the pattern move the stop pins up. To narrow the pattern move the stop pins down (See illustration).

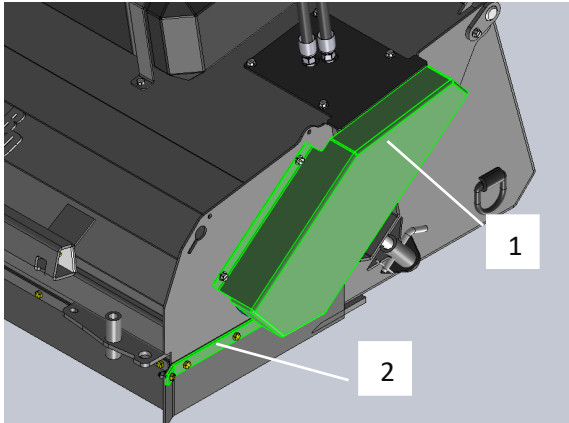


4. Maintenance

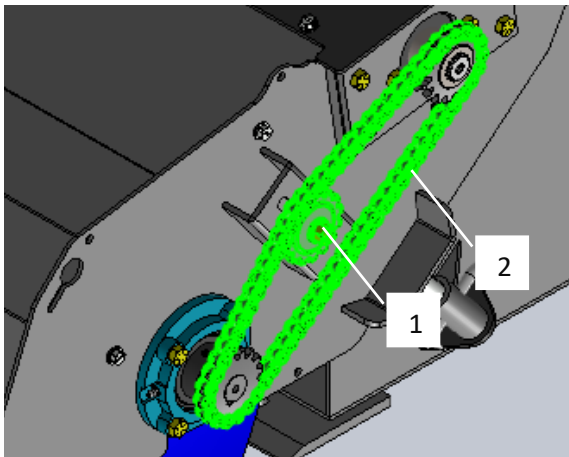
4.2 Removing Broom Wafers

See parts diagrams for pictures.

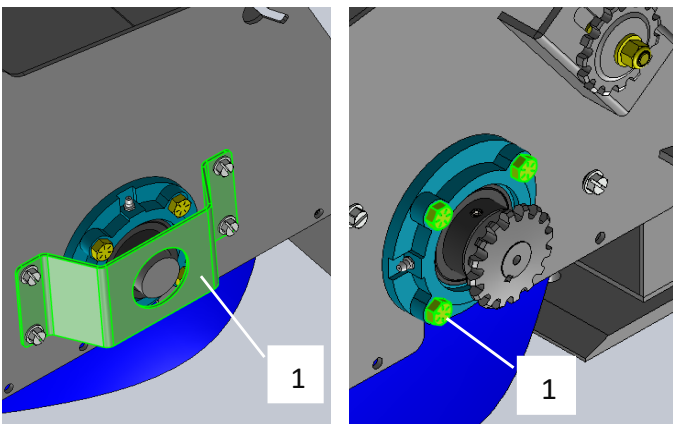
1. Place broom on the ground and perform mandatory shutdown procedure.
2. Remove side rubber skirt retainers and chain cover.



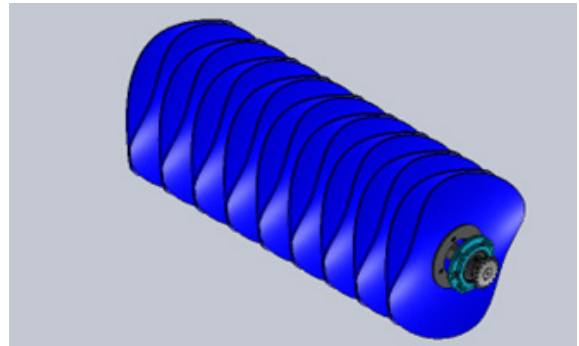
3. Loosen chain tensioner sprocket and remove chain.



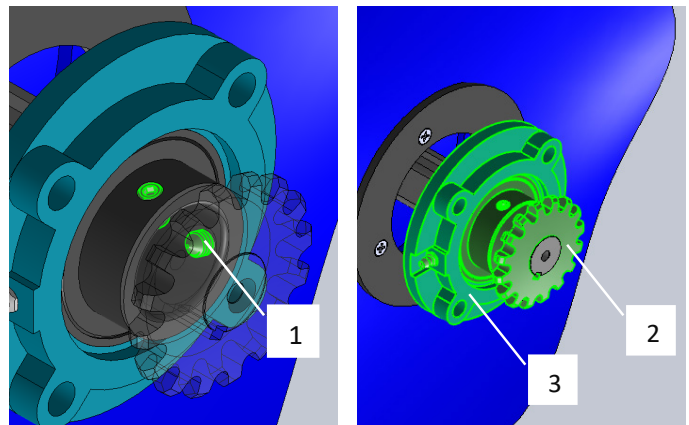
4. Remove bearing guard on the right hand side, and remove hardware from both bearings.



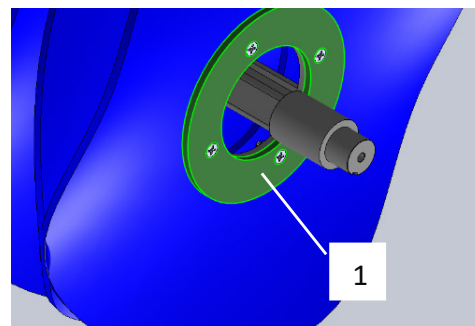
5. Using hoist, raise broom housing off of broom core. Roll broom core away from bucket.



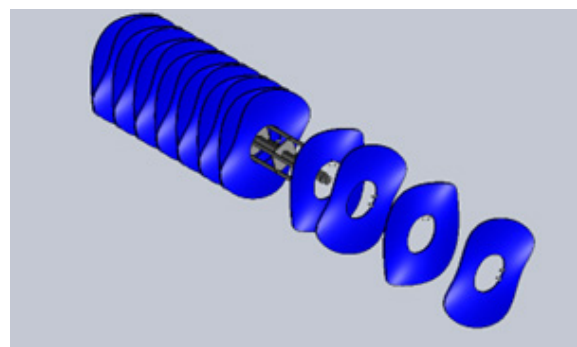
6. Loosen set screws and remove sprocket and bearing.



7. Remove end retainer from one broom end.



8. Remove wafers.

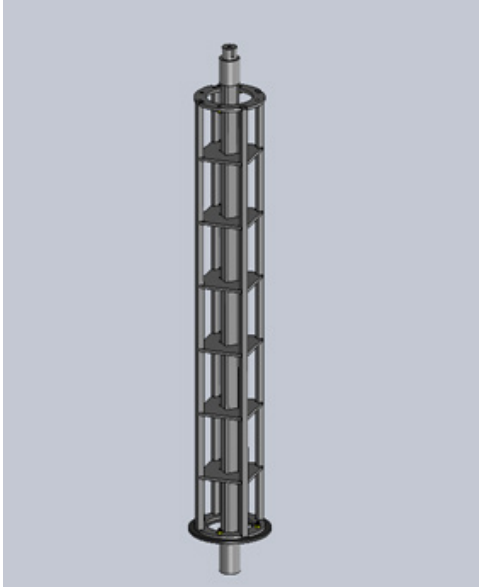


4. Maintenance

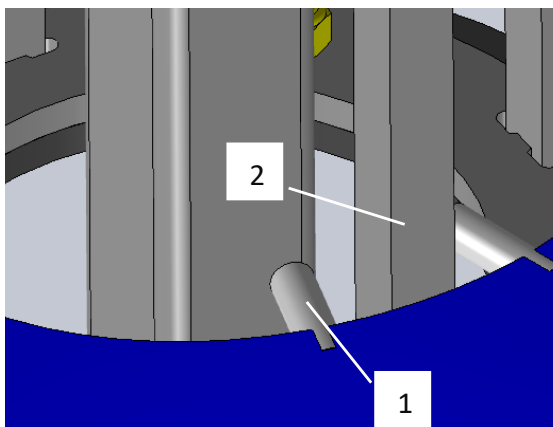
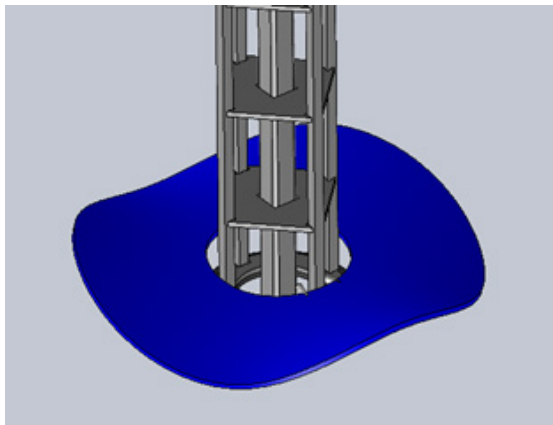
4.3 Replacing Broom Wafers

See parts diagrams for pictures.

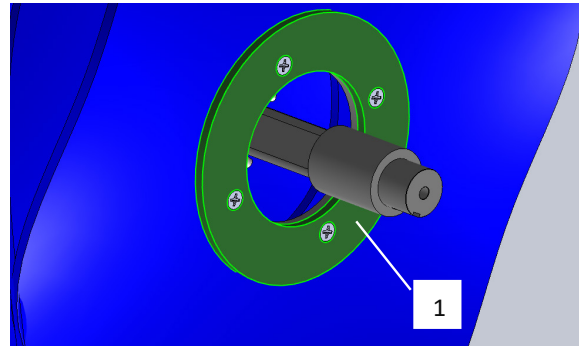
1. Stand broom drum on end with one retaining plate assembled.



2. Install a new wafer making sure wafer retention pins are trapped on broom drum bar.



3. Install more wafers alternating steel and poly wafers. The retention pins on consecutive wafers should alternate 180 degrees and be trapped by opposite bars.
4. Install last wafer and install broom drum retaining plate. Carefully lay the core on its side.



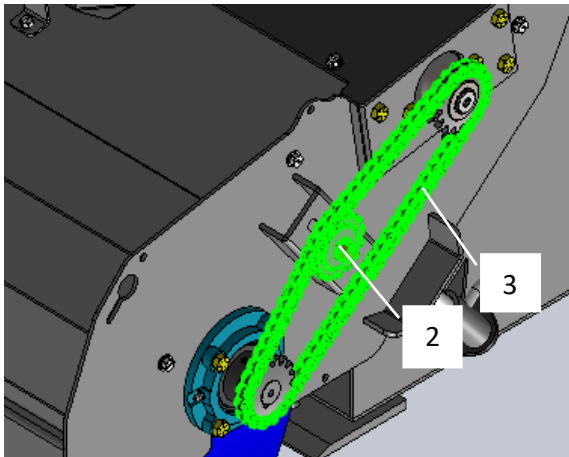
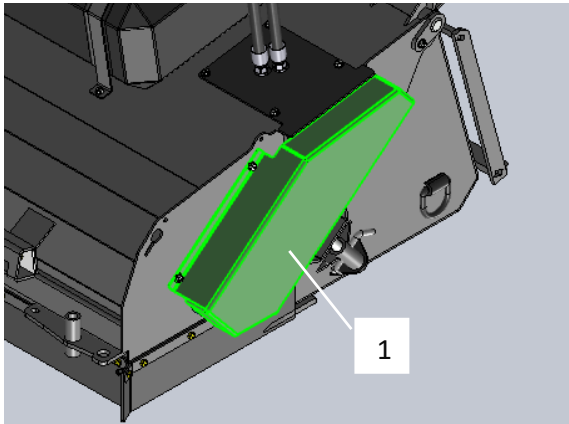
5. Move core under broom housing and lower housing on core.
6. Reassemble in reverse order from 4.2 “Removing Broom Wafers” on page 10. Confirm all hardware is torqued appropriately. See 4.6 “Fastener Torque Specifications” on page 14.

4. Maintenance

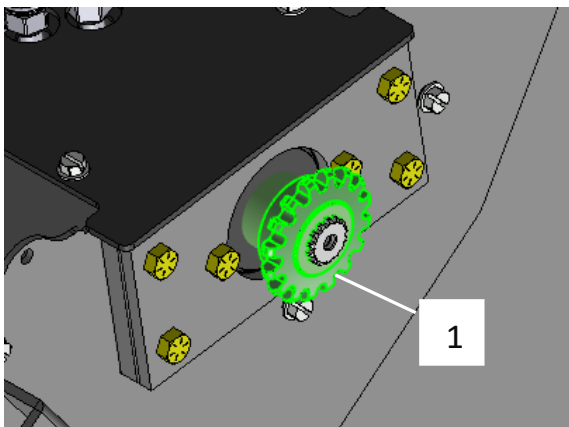
4.4 Removing and Replacing Motor

See parts diagrams for pictures.

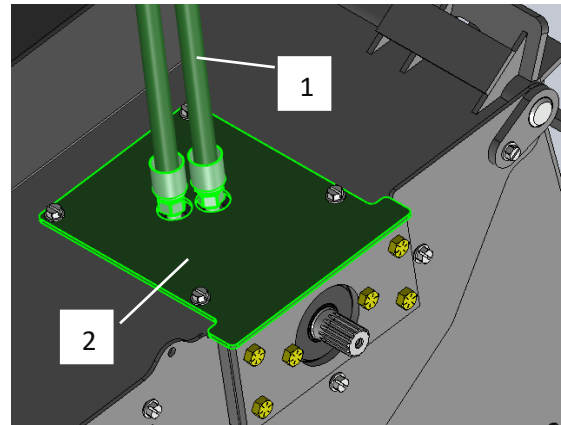
1. Place broom on the ground and perform mandatory shutdown procedure.
2. Remove chain cover. Loosen and remove chain.



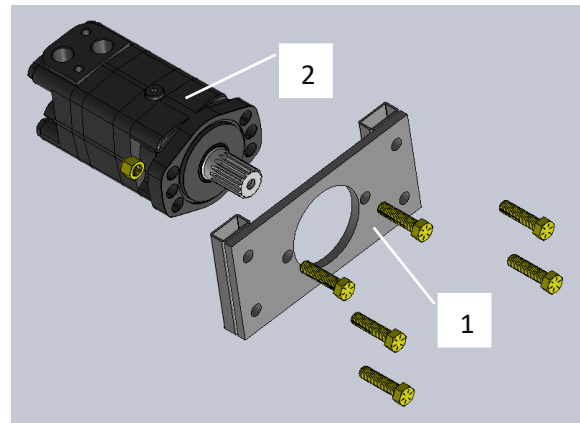
3. Remove drive sprocket.



4. Remove hoses and motor cover plate.



5. Remove motor mount plate and unbolt from motor.



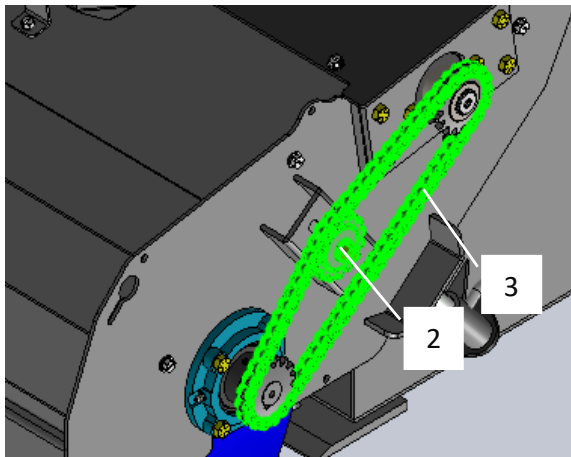
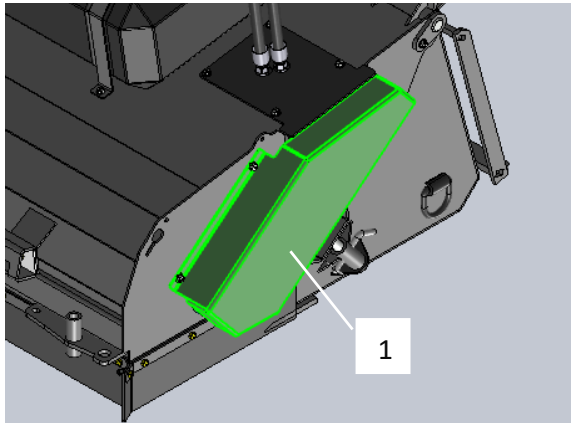
6. Reassemble in reverse order. Confirm all hardware is torqued appropriately. See 4.6 "Fastener Torque Specifications" on page 14.

4. Maintenance

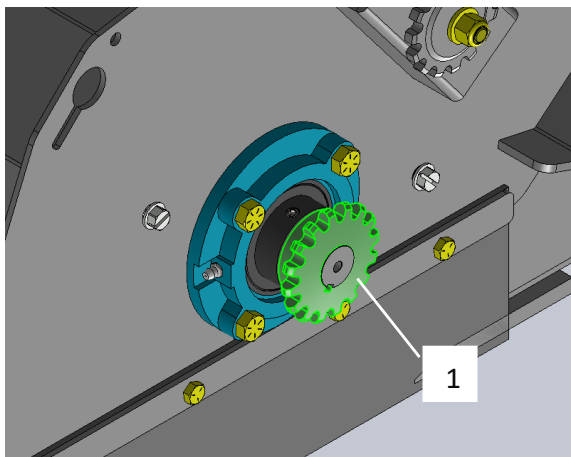
4.5 Removing and Replacing Bearings

See parts diagrams for pictures.

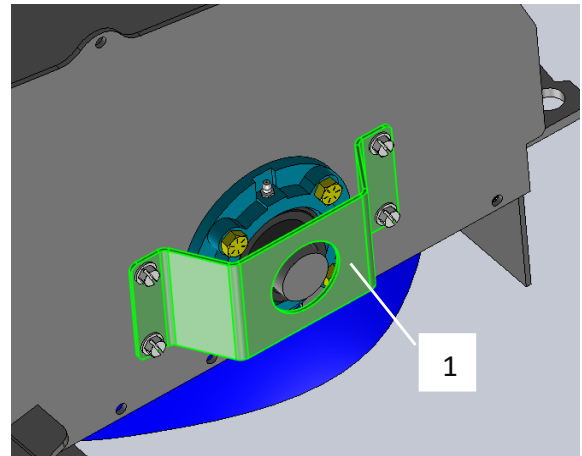
1. Place broom on the ground and perform mandatory shutdown procedure.
2. Remove chain cover. Loosen and remove chain.



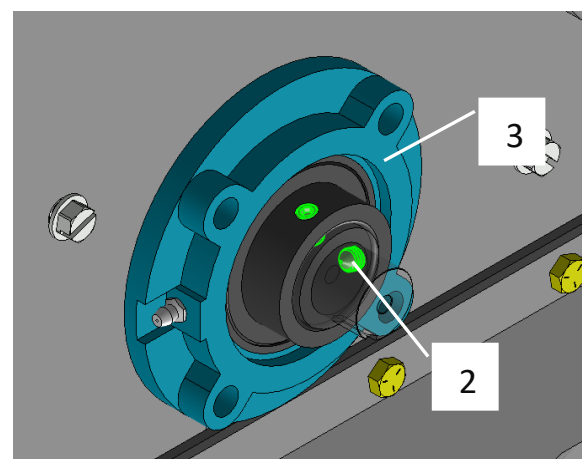
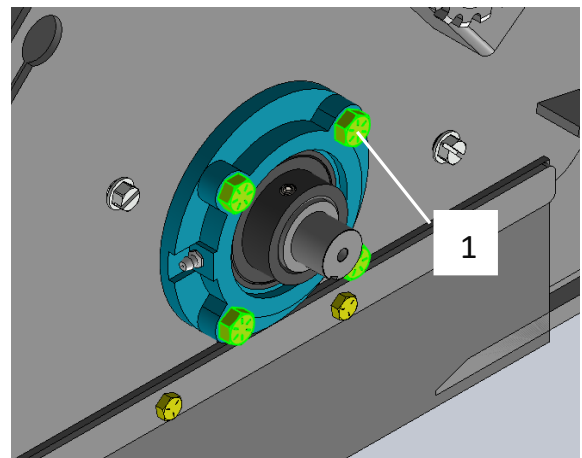
3. Remove shaft sprocket.



4. Remove bearing guard on the right side.



5. Remove bearing hardware. Loosed set screws and remove bearings.



6. Replace bearings and reassemble in reverse order. Confirm all hardware is torqued appropriately. See 4.6 "Fastener Torque Specifications" on page 14.

4. Maintenance

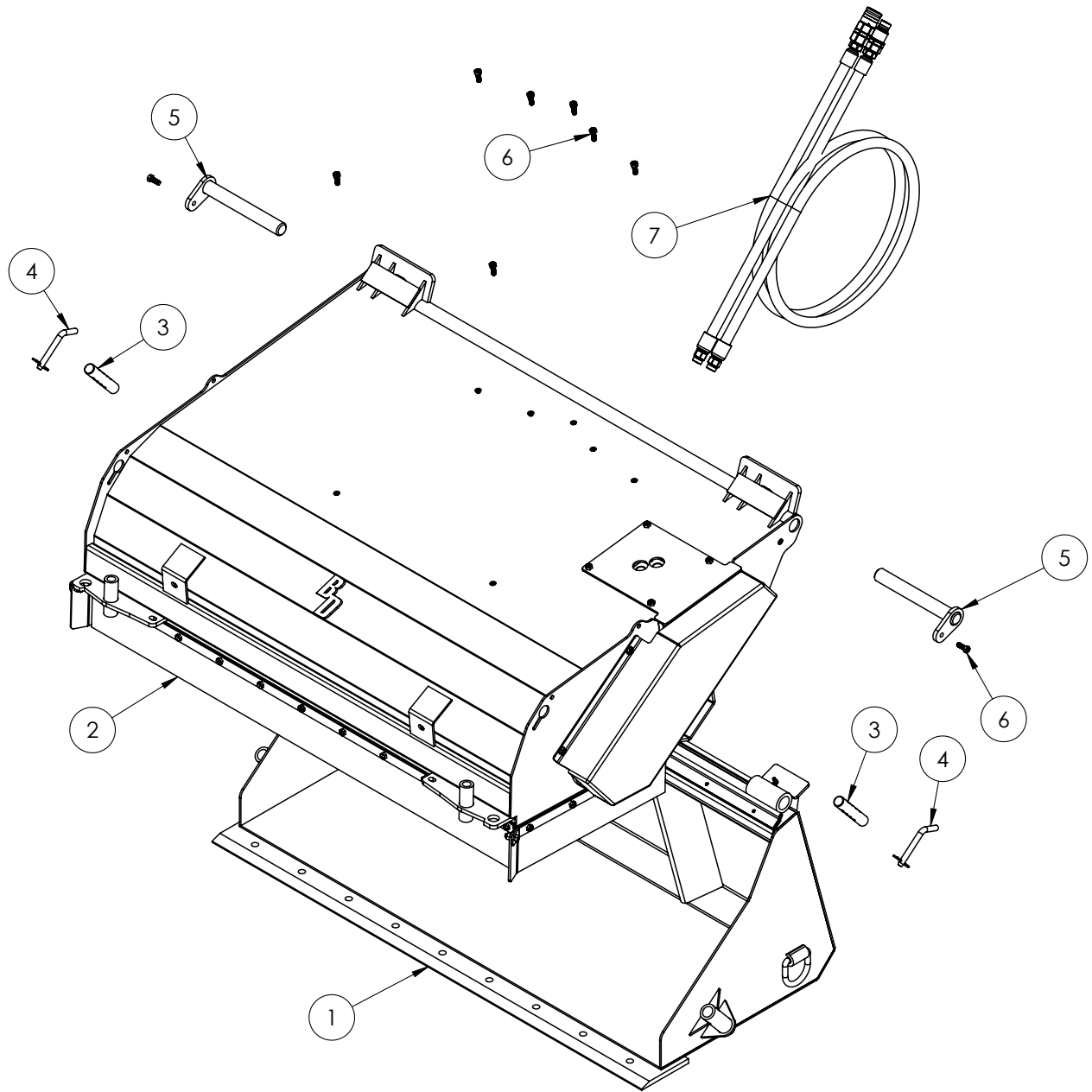
4.6 Fastener Torque Specifications

Unless otherwise specified, all bolts to be torqued as follows:

BOLT SIZE	TORQUE (LB.-FT.)
1/4-20 UNC	8
5/16-18 UNC	17
3/8-16 UNC	30
7/16-14 UNC	50
1/2-13 UNC	75
1/2-20 UNF	90
5/8-11 UNC	150
3/4-10 UNC	260
7/8-9 UNC	430
1-8 UNC	640
1 1/8-7 UNC	800

5. Assembly

5.1 Parts Breakdown



5. Assembly

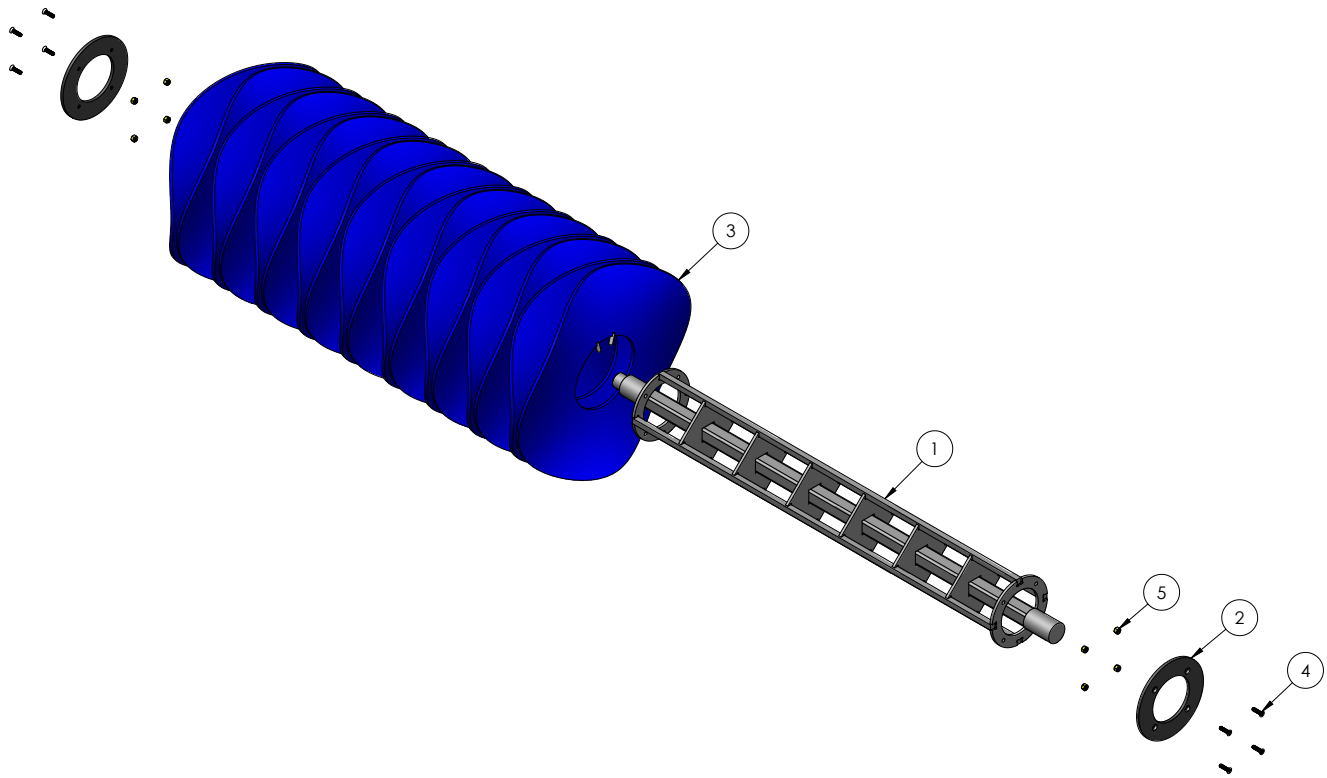
5.1 Parts Breakdown

ITEM	PART NUMBER	DESCRIPTION	QTY 42"	QTY 48"	QTY 54"
1	216800 - **	Mini Pub - Bucket - Mini Uni - 42"	1	-	-
	216801 - **	Mini Pub - Bucket - Mini Uni - 48"	-	1	-
	216802 - **	Mini Pub - Bucket - Mini Uni - 54"	-	-	1
2	See Hood Assembly	Main Frame Hood Assembly	1	1	1
3	216840	Pivot Stop Pin	2	2	2
4	216573	Bent Pull Clevis Pin	2	2	2
5	216465	Main Hood Pivot Pin	2	2	2
6	299423	Bolt - 3/8-16 X 1.00	9	9	9
7	216860	Machine Hose Set - 78" Hose Length Between Fittings	1	1	1
NS	109106	Bolt on Edge 42"	1	-	-
	109109	Bolt on Edge 48"	-	1	-
	109112	Bolt on Edge 54"	-	-	1
NS	109176	5/8-11 x 2" Plow Bolt	7	8	9
	107177	5/8-11 Locknut	7	8	9

**Specify mount type: Universal - (blank), Mini Universald - 25, Bobcat MT - 26, Avant - 35

5. Assembly

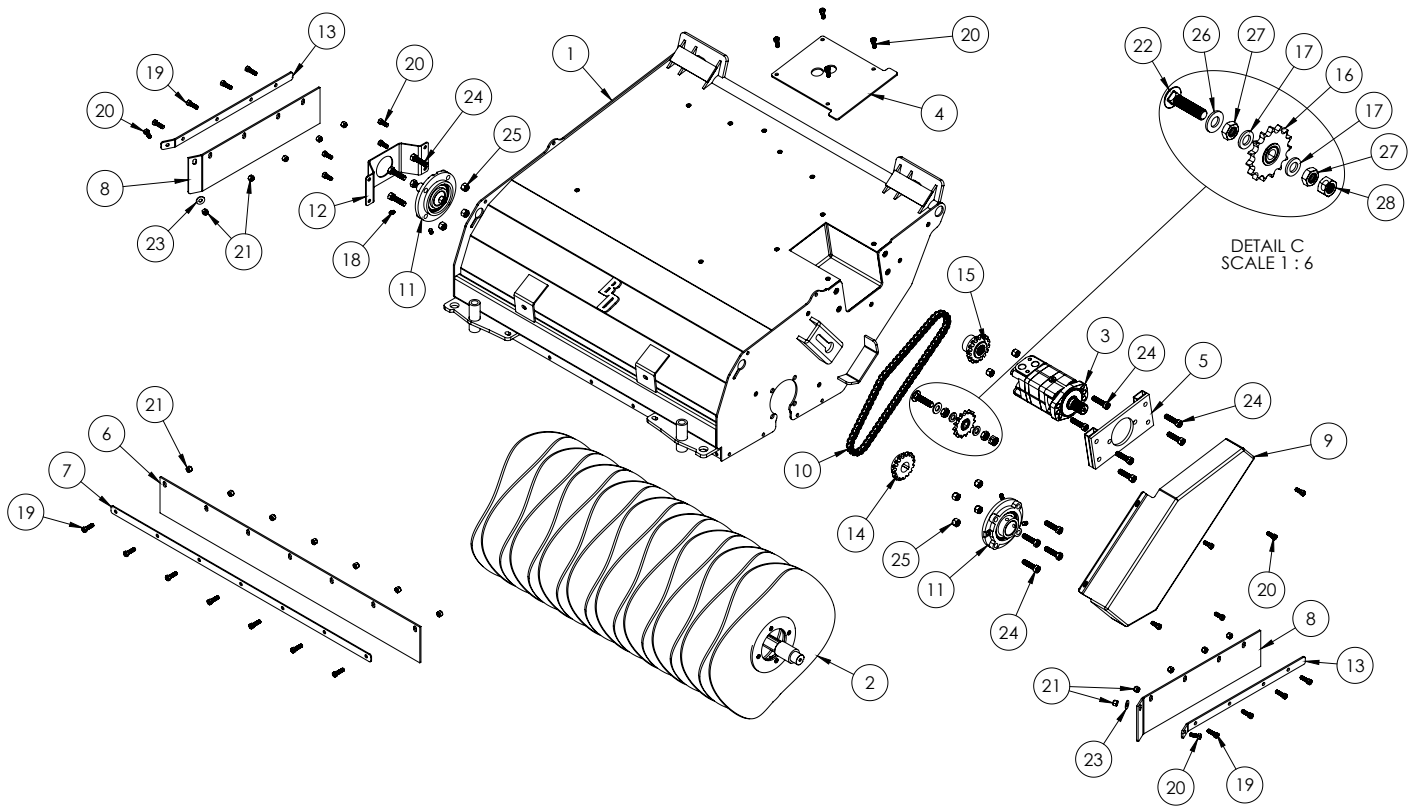
5.2 Brush/Drum Assembly Breakdown



ITEM	PART NUMBER	DESCRIPTION	QTY 42"	QTY 48"	QTY 54"
1	216805-42	Drum Shaft - 42"	1	-	-
	216805-48	Drum Shaft - 48"	-	1	-
	216805-54	Drum Shaft - 54"	-	-	1
2	216812	Mini Pub Drum Shaft Mount Ring - Outer	2	2	2
3	216842	6 3/8 X 18" Poly Convoluted Wafer	18	20	23
	216864	6 3/8 X 18" Poly/Steel Convoluted Wafer	18	20	23
4	299820	1/4-20 X 1" Flat Head Screw	8	8	8
5	299615	Grade 8 - Locknut - 1/4-20	8	8	8

5. Assembly

5.3 Hood Assembly Breakdown



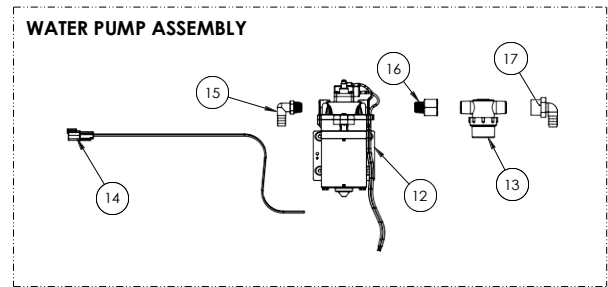
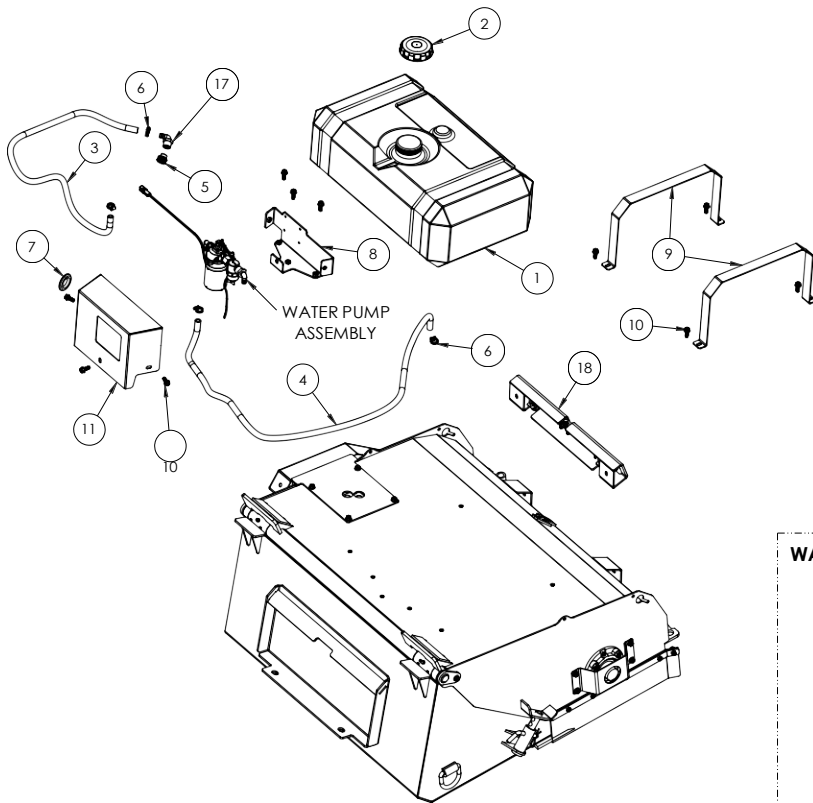
5. Assembly

5.3 Hood Assembly Breakdown

ITEM	PART NUMBER	DESCRIPTION	QTY 42"	QTY 48"	QTY 54"
1	216802-42	Main Frame Hood Weldment - 42"	1	-	-
	216802-48	Main Frame Hood Weldment - 48"	-	1	-
	216802-54	Main Frame Hood Weldment - 54"	-	-	1
2	(see Drum Shaft)	Drum Shaft	1	1	1
3	216425	Hydraulic Motor - 315cc For 12-20 GPM	1	1	1
	216826	Hydraulic Motor - 200cc For 8-12 GPM	1	1	1
4	216838	Motor Cover Plate	1	1	1
5	216832	Motor Mount Plate	1	1	1
6	216818-42	Rubber Skirt - Front - 42"	1	-	-
	216818-48	Rubber Skirt - Front - 48"	-	1	-
	216818-54	Rubber Skirt - Front - 54"	-	-	1
7	216816-42	Front Skirt Retainer - 42"	1	-	-
	216816-48	Front Skirt Retainer - 48"	-	1	-
	216816-54	Front Skirt Retainer - 54"	-	-	1
8	216822	Rubber Skirt - Side	2	2	2
9	216836	Chain Cover	1	1	1
10	216874	Mini Pub Chain	1	1	1
11	216872	Flange Cartridge Unit Bearing Ø1 3/4" Shaft	2	2	2
12	216834	Bearing Cover Plate	1	1	1
13	216819	Side Skirt Retainer	2	2	2
14	216873	Drum Shaft Sprocket (50BS16)	1	1	1
15	216871	Drive Spricket with Weld-On Spline Adaptor	1	1	1
16	216876	Tensioner Idler Sprocket	1	1	1
17	299013	Idler Spacer Washer - .63" I.D. X 1.1" O.D. X .13" Thick	2	2	2
18	299512	Set Screw - .375-16 X 3/4"	4	4	4
19	299426	Hex Bolt - Grade 8 - 3/8-16 X 1 1/4	15	17	19
20	299423	Hex Bolt - Grade 8 - .375-16 X 1.0	15	15	15
21	299625	Locknut - .375-16	17	20	22
22	299479	Carriage Bolt 5/8-11 X 2 1/2" Grade 8	1	1	1
23	216495	Oversize 3/8 Washer	2	2	2
24	299433	Hex Bolt - Grade 8 - .500-13 X 2.00	14	14	14
25	299618	Locknut - Grade 8 - .500-13	10	10	10
26	216877	5/8" Grade 8 Steel Washer	1	1	1
27	299621	5/8" Jam Nut	2	2	2
28	299575	Hex Nut - GR 8 - 5/8-11	1	1	1

5. Assembly

5.4 Water Kit Breakdown



ITEM	PART NUMBER	DESCRIPTION	QTY 42"	QTY 48"	QTY 54"
1	316565	Water Kit - 42"	1	-	-
	316567	Water Kit - 48"	-	1	-
	316569	Water Kit - 54"	-	-	1

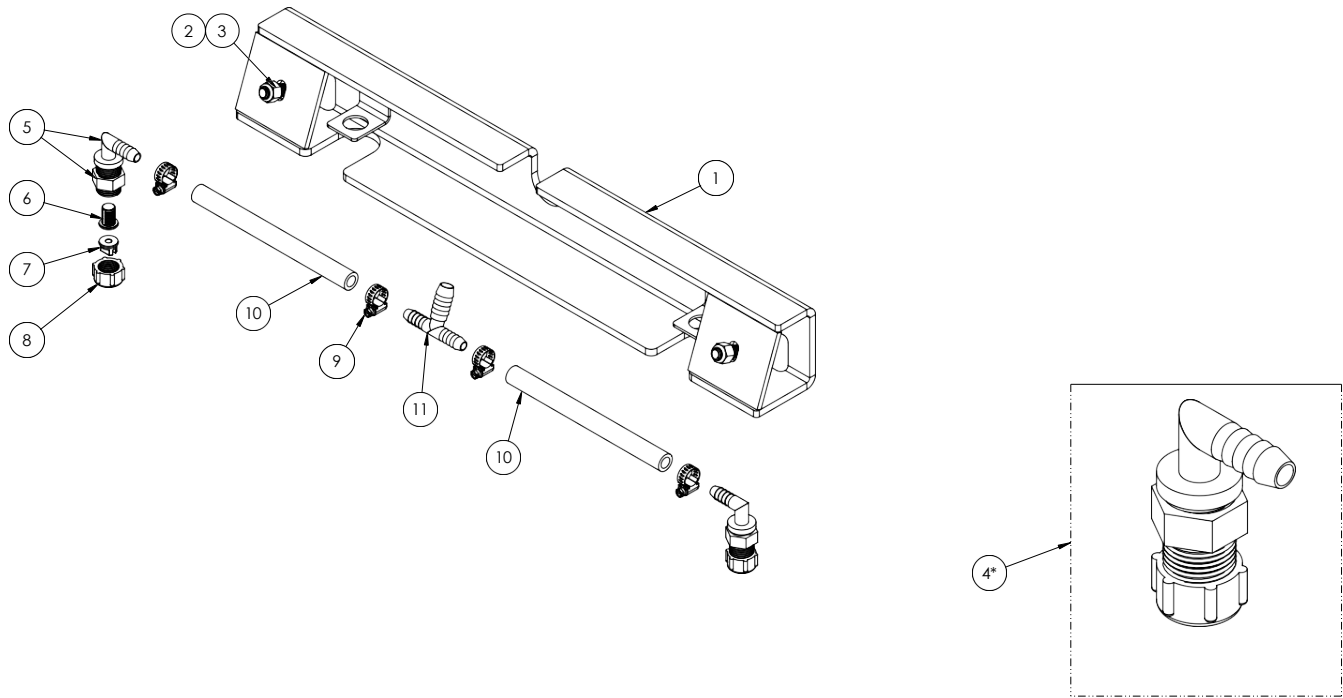
5. Assembly

5.4 Water Kit Breakdown

ITEM	PART NUMBER	DESCRIPTION	QTY
1	216850	Tank, 16 gallon (HDPE)	1
2	216651	Water Tank Cap	1
3	216688	Tank to Pump Hose (1/2" x 60")	5
4	216688	Pump to Spray Bar Hose (1/2" x 72")	6
5	216851	Water Tank Outlet Fitting	1
6	216691	Hose Clamp #8	4
7	216538	Rubber Grommet	1
8	216673	Pump Mount Bracket	1
9	216852	Water Tank Strap - 16 gal.	2
10	299423	Hex Head Screw - 3/8-16 x 1.00	12
11	255458	Pump Hood	1
12	216540	Water Pump	1
13	216542	Strainer For Water Kit	1
14	298115	Deutsch DT04-2P Receptacle Connector	1
15	216662	Plastic Barbed Tube Fitting for Air and Water	1
16	216660	High-Pressure Brass Pipe Fitting	1
17	216658	Plastic Barbed Hose Fitting	2
18	216854	Mini Pub - Spray Bar - Base - Weldment For 42"	1
	216856	Mini Pub - Spray Bar - Base - Weldment For 48"	
	216858	Mini Pub - Spray Bar - Base - Weldment For 54"	

5. Assembly

5.5 Spray Bar Breakdown



ITEM	PART NUMBER	DESCRIPTION	QTY
1	216854	Mini Pub - Spray Bar - Base - Weldment - For 42"	1
	216856	Mini Pub - Spray Bar - Base - Weldment - For 42"	
	216858	Mini Pub - Spray Bar - Base - Weldment - For 42"	
2	299423	Hex Bolt - Grade 8 - 3/8-16 X 1	2
3	299625	Locknut - .375-16	2
4	216316-KIT	Sprayer Tip Assembly - 110° Nozzle	2
5	216315	Nozzle - 90° Fitting With Nut	2
6	216320	Water Nozzle Strainer	2
7	216306	110° Spray Tip	2
8	216693	Nozzle Retainer Plastic Nut	2
9	216691	Hose Crimp	4
10	216690	3/8" Water Kit Hose	2
11	216694	Nozzle Tee Fitting	1



MANUFACTURER'S LIMITED WARRANTY

BLUE DIAMOND® ATTACHMENTS, a manufacturer of quality attachments, warrants new BLUE DIAMOND® ATTACHMENTS products and/or attachments at the time of delivery to the original purchaser, to be free from defects in material and workmanship when properly set up and operated in accordance with the recommendations set forth by BLUE DIAMOND® ATTACHMENTS, LLC.

BLUE DIAMOND® ATTACHMENTS liability for any defect with respect to accepted goods shall be limited to repairing the goods at a BLUE DIAMOND® ATTACHMENTS designated location or at an authorized dealer location, or replacing them, as BLUE DIAMOND® ATTACHMENTS shall elect. The above shall be in accordance with BLUE DIAMOND® ATTACHMENTS warranty adjustment policies. BLUE DIAMOND® ATTACHMENTS obligation shall terminate twelve (12) months for the Silage Defacer after the delivery of the goods to original purchaser.

This warrant shall not apply to any machine or attachment which shall have been repaired or altered outside the BLUE DIAMOND® ATTACHMENTS factory or authorized BLUE DIAMOND® ATTACHMENTS dealership or in any way so as in BLUE DIAMOND® ATTACHMENTS judgment, to affect its stability or reliability, nor which has been subject to misuse, negligence or accident beyond the company recommended machine rated capacity.

WARRANTY CLAIM

To submit a warranty claim, a return authorization from BLUE DIAMOND® ATTACHMENTS must be obtained. The failed part may then be returned. Tampering with the failed part may void the warranty. This warranty does not include freight or delivery charges incurred when returning machinery for servicing. Dealer mileage, service calls, and pickup/delivery charges are the customers' responsibility.

EXCLUSIONS OF WARRANTY

Except as otherwise expressly stated herein, BLUE DIAMOND® ATTACHMENTS makes no representation or warranty of any kind, expressed or implied, AND MAKES NO WARRANTY OF MERCHANTABILITY IN RESPECT TO ITS MACHINERY AND/OR ATTACHMENTS ARE FIT FOR ANY PARTICULAR PURPOSE. BLUE DIAMOND® ATTACHMENTS shall not be liable for incidental or consequential damages for any breach or warranty, including but not limited to inconvenience, rental of replacement equipment, loss of profits or other commercial loss. Upon purchase, the buyer assumes all liability for all personal injury and property resulting from the handling, possession, or use of the goods by the buyer.

No agent, employee, or representative of BLUE DIAMOND® ATTACHMENTS has any authority to bind BLUE DIAMOND® ATTACHMENTS to any affirmation, representation, or warranty concerning its machinery and/or attachments except as specifically set forth herein.

This warranty policy supersedes any previous documents.

NOTE: Blue Diamond® Attachments is a trademark of BLUE DIAMOND® ATTACHMENTS



QUALITY | DEPENDABILITY | INTEGRITY

Blue Diamond® Attachments
4512 Anderson Road, Knoxville, TN 37918
888-376-7027